



## NEW JT-8.2 THIEF HATCH

INTRODUCED SUMMER 2025

THE JT-8.2 IS A MASSIVE IMPROVEMENT TO THE SEALING PERFORMANCE OF JAYCO THIEF HATCHES. BENEFITING FROM SEVERAL YEARS OF RESEARCH INTO THE SOON TO BE RELEASED JTZ8 HIGH PERFORMANCE HATCH. THE JT-8.2 OFFERS CONSISTENT REPEATABLE SEALING PERFORMANCE.

PRESSURE SETTINGS GREATER THAN 16 OZ/IN<sup>2</sup>  
COMING SOON WITH THE JTZ8

- ADVANCED SUPER SEAL PERFORMANCE
- NEW PLUNGER DESIGN FOR BETTER SEALING
- NUMEROUS INTERNAL REFINEMENTS
- NEW BASE DESIGNED TO REDUCE FLANGE LEAKS WITH IMPROVED INSTALLATION TOLERANCES
- GREATLY EXCEEDS THE INDUSTRY STANDARD OF: LESS THAN 1.0 CFH @ 90% OF SET PRESSURE
- FLOW CHARTS AVAILABLE AT [JAYCO.ORG](http://JAYCO.ORG) \*
- USES THE SAME GASKETS AND PRESSURE SPRINGS AS THE JT-8.1 (BLUE VITON PRESSURE GASKET DOES NOT WRAP AROUND EDGES OF 8.2 PLUNGER)
- TO ACHIEVE THE BEST SEALING PERFORMANCE, IT IS IMPERATIVE TO HAVE CLEAN GASKETS IN GOOD CONDITION



## PREVIOUS HATCHES

### JT-8.1 & ORIGINAL JT-8 PLUNGERS

DISCONTINUED SUMMER 2025 & FALL 2011

UPDATE YOUR JT-8 AND JT-8.1 THIEF HATCHES WITH THE NEW JT-8.2 PLUNGER TO EXPERIENCE SOME OF THE SEALING ENHANCEMENTS.

\* JAYCO THIEF HATCHES ARE NOT EMERGENCY VENTILATION PRODUCTS



9412 NICHOLS ROAD • PO BOX 20026 • OKLAHOMA CITY, OK 73156

800-654-9263 • 405-751-6903 • FAX 405-755-7940 • [WWW.JAYCO.ORG](http://WWW.JAYCO.ORG)



**NEW PEAK 2**

COMING FALL 2025

*NEW BLACK TEFLON COATING*



THE JAYCO PEAK 2 THIEF HATCH HAS BEEN UPDATED ALONGSIDE THE JT-8.2 FOR MASSIVE SEALING PERFORMANCE IMPROVEMENTS. THE PEAK 2 COMES COMPLETE WITH BLUE VITON® GASKETS AND STAINLESS STEEL PARTS. THE LID, BASE AND INTERNAL PLUNGER ARE TEFLON COATED MAKING THIS HATCH SUITABLE FOR DEMANDING ENVIRONMENTS. JAYCO PEAK 2 THIEF HATCH GREATLY OUTPERFORMS THE INDUSTRY STANDARD OF LESS THAN 1.0 CFH @ 90% OF SET PRESSURE.

**PEAK 1 SPECIFICATIONS**

BASE AND LID SIZE:	NOMINAL 8" ROUND
HATCH DESIGN:	JT-8.2
BOLT PATTERN:	16 HOLES AT 10 3/8" CIRCLE (API) (RECOMMENDED TORQUE 16-18 FT-LBS)
CONSTRUCTION:	ALL TEFLON COATED ALUMINUM CASTINGS
SYSTEM OPERATIONS:	SPRING LOADED PRESSURE AND VACUUM
STANDARD SETTINGS:	4 oz/IN <sup>2</sup> PRESSURE 0.4 oz/IN <sup>2</sup> VACUUM
OPTIONAL PRESSURE SET:	6, 8, 12, 14, AND 16 oz/IN <sup>2</sup>
OPTIONAL VACUUM SET:	1 oz/IN <sup>2</sup>
INTERNAL PARTS:	ALL STAINLESS STEEL
PRESSURE GASKET:	BLUE VITON® WRAP-A-ROUND
VACUUM GASKET:	BLUE VITON® FLAT
BASE GASKET:	BLACK VITON® INCLUDED

APPROXIMATE SHIPPING WEIGHT: 14 LBS • VITON® IS A REGISTERED TRADEMARK OF DUPONT DOW ELASTOMERS

9412 NICHOLS ROAD • PO BOX 20026 • OKLAHOMA CITY, OK 73156

800-654-9263 • 405-751-6903 • FAX 405-755-7940 • WWW.JAYCO.ORG



THE PURPOSE OF THE THIEF HATCH IS TO WORK IN TANDEM WITH THE VENT VALVE TO MINIMIZE THE ESCAPE OF LIGHT ENDS OF CRUDE IN LEASE STORAGE BY MAINTAINING A PRESSURE ON THE TANK. A VACUUM RELIEF FUNCTION IS ALSO STANDARD. THE THIEF HATCH PERMITS ACCESS TO THE CONTENTS OF THE TANK FOR SAMPLING AND GAUGING. THE VENT VALVE SHOULD BE SET TO VENT PRESSURE BEFORE THE THIEF HATCH.

JAYCO THIEF HATCHES ARE DESIGNED FOR OPTIMUM PERFORMANCE AND EASY CLEANING AND MAINTENANCE, WITH STANDARD SETTINGS OF 4.0 oz/in<sup>2</sup> PRESSURE AND 0.4 oz/in<sup>2</sup> VACUUM WITH OPTIONAL SPRINGS FOR 2, 6, 8, 12, 14, AND 16 oz/in<sup>2</sup> PRESSURE SETTINGS. JT-8.2 JAYCO THIEF HATCH GREATLY OUTPERFORMS THE INDUSTRY STANDARD OF LESS THAN 1.0 CFH @ 90% OF SET PRESSURE. BASE GASKET STANDARD WITH HATCH.

## JT-8.2 SPECIFICATIONS

BASE AND LID SIZE:	NOMINAL 8" ROUND
BOLT PATTERN:	16 HOLES AT 10 3/8" CIRCLE (API) (RECOMMENDED TORQUE 16-18 FT-LBS)
CONSTRUCTION:	ALL ALUMINUM CASTINGS
SYSTEM OPERATIONS:	SPRING LOADED PRESSURE AND VACUUM
STANDARD SETTINGS:	4 oz/in <sup>2</sup> PRESSURE 0.4 oz/in <sup>2</sup> VACUUM
GASKET MATERIAL:	SUPREME65, BLACK VITON® OR BLUE VITON®
BASE GASKET:	INCLUDED

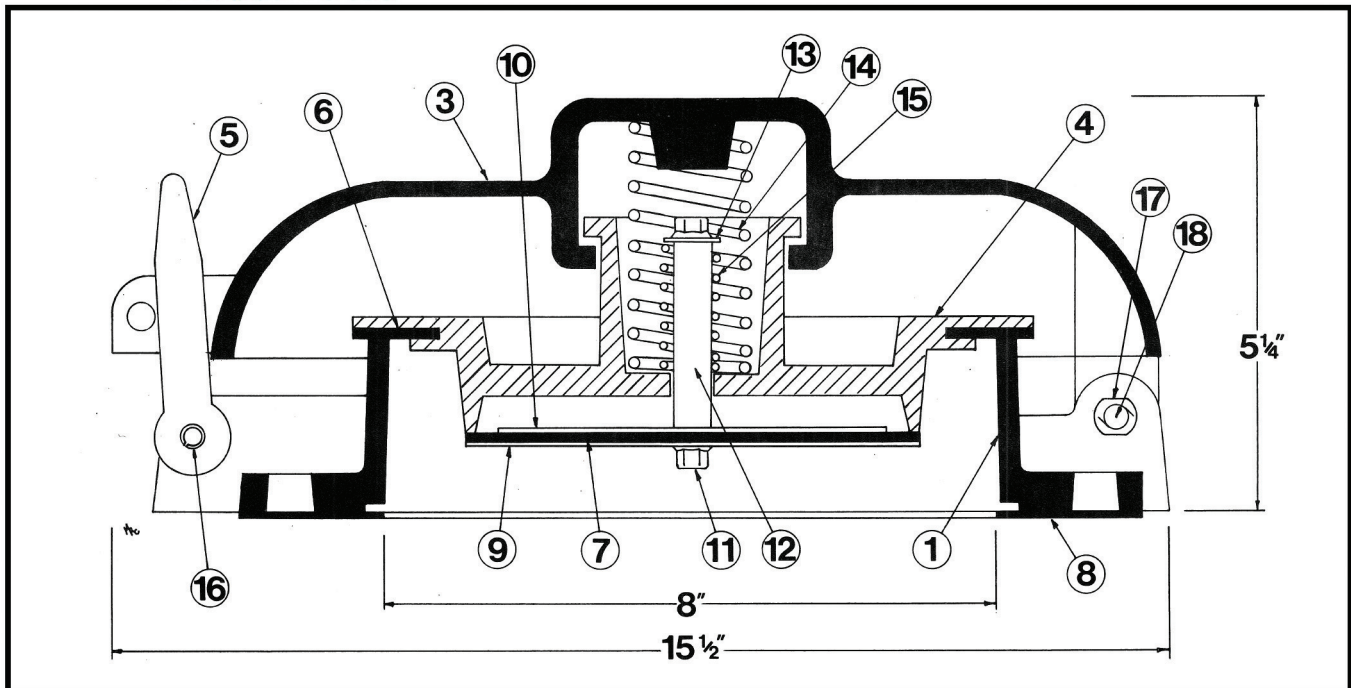
### PRESSURE SPRINGS



APPROXIMATE SHIPPING WEIGHT: 14 LBS • VITON® IS A REGISTERED TRADEMARK OF DUPONT DOW ELASTOMERS

9412 NICHOLS ROAD • PO BOX 20026 • OKLAHOMA CITY, OK 73156

800-654-9263 • 405-751-6903 • FAX 405-755-7940 • WWW.JAYCO.ORG



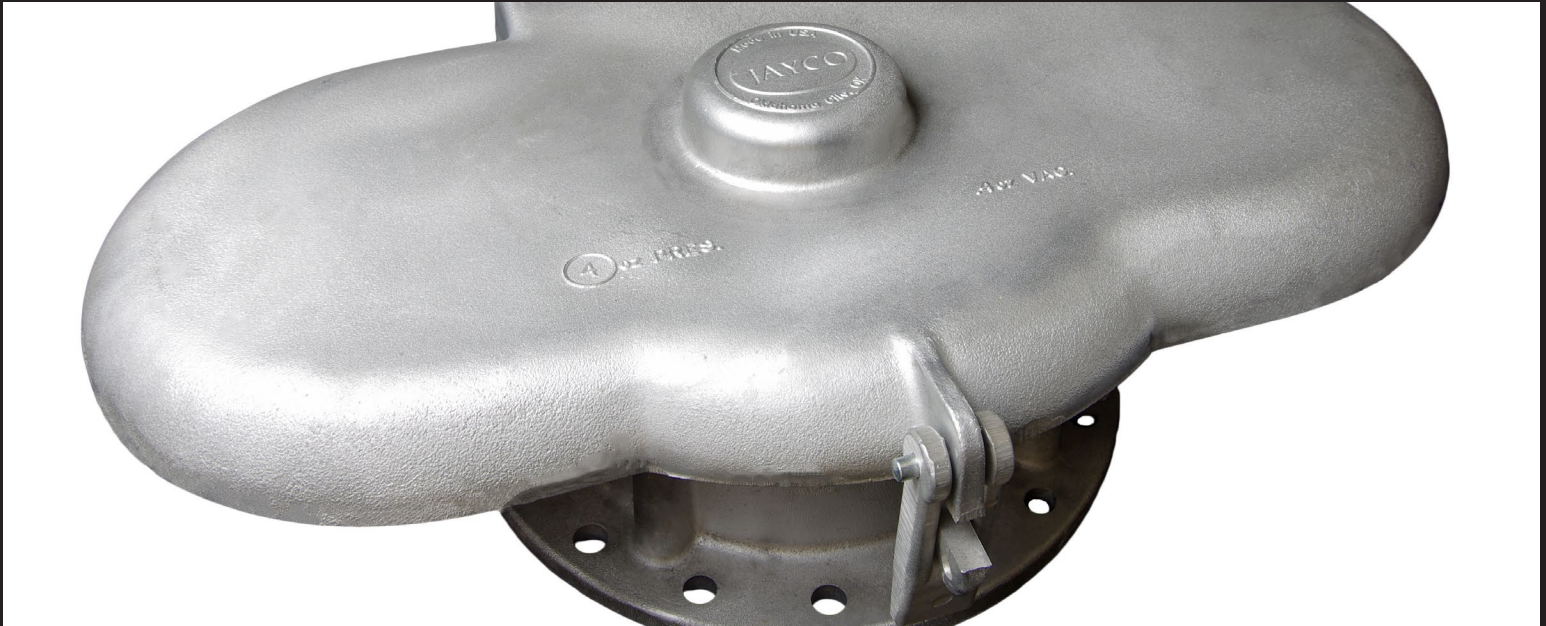
1. BASE (RECOMMENDED TORQUE 16-18 FT-LBS)	JT28172	ALUMINUM		
3. LID	JT28176	ALUMINUM		
4. PRESSURE/VACUUM VALVE COMPLETE (INCLUDES **)	JT2818S	ALUMINUM		
5. LATCH	JT8205	ALUMINUM		
**6 & 7. PRESSURE & VACUUM GASKET SET (JT1815S & JT1820S)	JT1SUPR652P	SUPREME65		
PRESSURE & VACUUM SOUR SERV. SET (JT1815V & JT1820V)	JT1VITON2P	VITON®		
PRESSURE & VACUUM BLUE SOUR SET (JT1815WV & JT1820WV)	JT1BLUEVITON	VITON®		
8. BASE GASKET	JT1810S	SUPREME65		
BASE GASKET (SOUR SERVICE)	JT1810V	VITON®		
** 9. WASHER (LOWER MEDIUM)	JT0863	ALUMINUM		
WASHER (LOWER LARGE)	JT0865	ALUMINUM		
** 10. WASHER (UPPER)	JT0860	ALUMINUM		
** 11. SCREW HHTL 1/4-20 X 3/4	JT0871	STAINLESS		
** 12. STEM 1/2 X 2 1/2	JT0850	ALUMINUM		
** 13. WASHER 1/4	JT0861	STAINLESS		
14. SPRING, PRESSURE (STANDARD 4 oz/IN <sup>2</sup> PLATED)				
4 oz/IN <sup>2</sup> (PLAIN)	JT0835	2 oz/IN <sup>2</sup> (BLACK)	JT0830	PLATED OR SS
6 oz/IN <sup>2</sup> (YELLOW)	JT0837	8 oz/IN <sup>2</sup> (ORANGE)	JT0838	STAINLESS
12 oz/IN <sup>2</sup> (WHITE)	JT0846	14 oz/IN <sup>2</sup> (GREEN)	JT0839	STAINLESS
16 oz/IN <sup>2</sup> (BLUE)	JT0847	24 oz/IN <sup>2</sup> (PURPLE)	JT0849	STAINLESS
** 15. SPRING, VACUUM 0.4 oz/IN <sup>2</sup>	JT0825	STAINLESS		
SPRING, VACUUM 1.0 oz/IN <sup>2</sup>	JT0826	STAINLESS		
16. LATCH ROLL PIN	JV0130	ZINC PLATED		
17. PUSH NUT, 1/4 (USE ONLY ONCE - THEN REPLACE)	JT0887			
18. HINGE PIN (SHORT)	JT0875	GALVANIZED		
** WASHER, INTERNAL LOCK, BOTTOM	JT0872	STAINLESS		
MOUNTING BOLT AND NUT SET (16)	JT-B&N	ZINC PLATED		

IN KEEPING WITH, AND FOR THE PURPOSE OF PRODUCT IMPROVEMENT, JAYCO RESERVES THE RIGHT TO MAKE DESIGN CHANGES WITHOUT PRIOR NOTICE.

\*\* INCLUDED WITH PRESSURE/VACUUM VALVE

VITON® IS A REGISTERED TRADEMARK OF DUPONT DOW ELASTOMERS

BULLETIN NUMBER 1015 23



THE PURPOSE OF THE THIEF HATCH IS TO WORK IN TANDEM WITH THE VENT VALVE TO MINIMIZE THE ESCAPE OF LIGHT ENDS OF CRUDE IN LEASE STORAGE BY MAINTAINING A PRESSURE ON THE TANK. A VACUUM RELIEF FUNCTION IS ALSO STANDARD. THE THIEF HATCH PERMITS ACCESS TO THE CONTENTS OF THE TANK FOR SAMPLING AND GAUGING. THE JT-20.2 FEATURES A 20" OBLONG DRIP PAN TO CONTAIN DRIPPINGS AND GIVES THE OPERATOR A WORKSPACE FOR TOOLS.

JAYCO THIEF HATCHES ARE DESIGNED FOR OPTIMUM PERFORMANCE AND EASY CLEANING AND MAINTENANCE, WITH STANDARD SETTINGS OF 4.0 oz/IN<sup>2</sup> PRESSURE AND 0.4 oz/IN<sup>2</sup> VACUUM WITH OPTIONAL SPRINGS FOR 6, 8, 12, 14, AND 16 oz/IN<sup>2</sup> PRESSURE SETTINGS. JT-20.2 JAYCO THIEF HATCH GREATLY OUTPERFORMS THE INDUSTRY STANDARD OF LESS THAN 1.0 CFH @ 90% OF SET PRESSURE. BASE GASKET STANDARD WITH HATCH.

## JT-20.2 SPECIFICATIONS

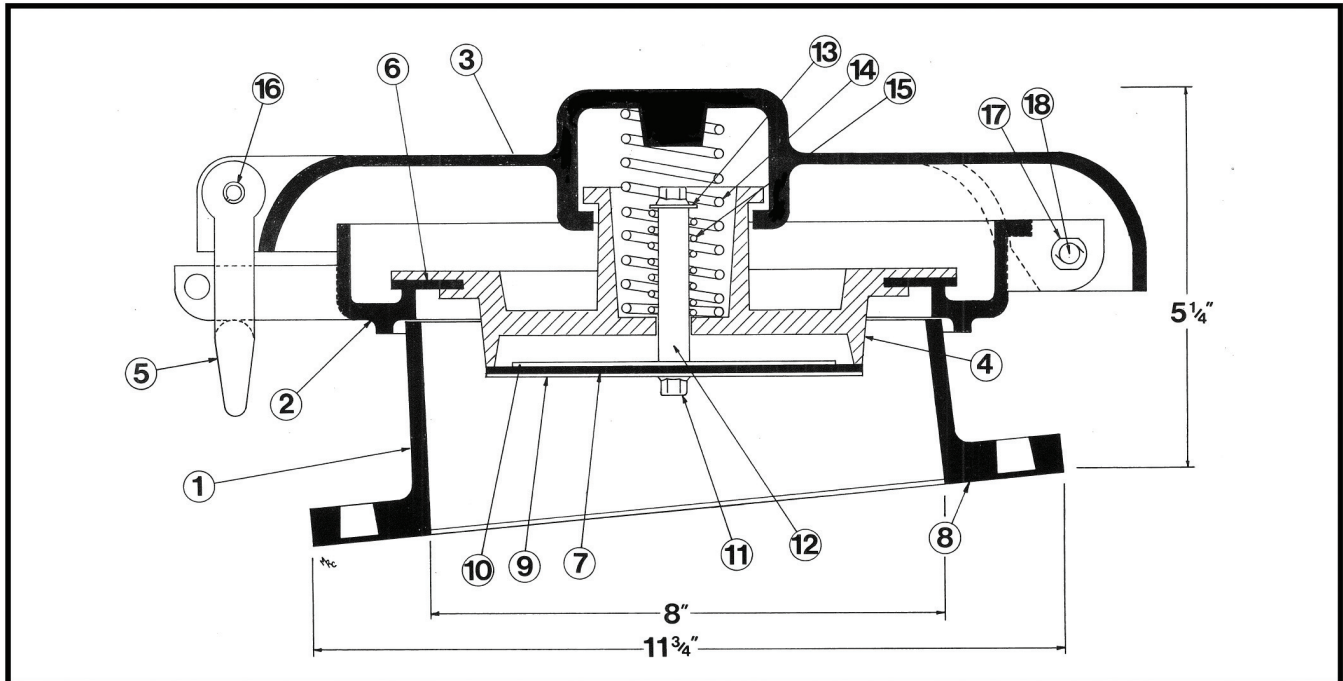
BASE AND LID SIZE:	NOMINAL 8" ROUND WITH 20" LONG PAN
BOLT PATTERN:	16 HOLES AT 10 3/8" CIRCLE (API) (RECOMMENDED TORQUE 16-18 FT-LBS)
CONSTRUCTION:	ALL ALUMINUM CASTINGS
SYSTEM OPERATIONS:	SPRING LOADED PRESSURE AND VACUUM
STANDARD SETTINGS:	4 oz/IN <sup>2</sup> PRESSURE 0.4 oz/IN <sup>2</sup> VACUUM
GASKET MATERIAL:	SUPREME65, BLACK VITON® OR BLUE VITON®
BASE GASKET:	INCLUDED

APPROXIMATE SHIPPING WEIGHT: 18 LBS • VITON® IS A REGISTERED TRADEMARK OF DUPONT DOW ELASTOMERS



9412 NICHOLS ROAD • PO BOX 20026 • OKLAHOMA CITY, OK 73156

800-654-9263 • 405-751-6903 • FAX 405-755-7940 • WWW.JAYCO.ORG



1. BASE (RECOMMENDED TORQUE 16-18 FT-LBS)	JT2035	ALUMINUM		
2. LONG PAN	JT2045	ALUMINUM		
3. LID	JT2055	ALUMINUM		
4. PRESSURE/VACUUM VALVE COMPLETE (INCLUDES **)	JT2818S	ALUMINUM		
5. LATCH	JT8205	ALUMINUM		
**6 & 7. PRESSURE & VACUUM GASKET SET (JT1815S & JT1820S)	JT1SUPR652P	SUPREME65		
PRESSURE & VACUUM SOUR SERV. SET (JT1815V & JT1820V)	JT1VITON2P	VITON®		
PRESSURE & VACUUM BLUE SOUR SET (JT1815WV & JT1820WV)	JT1BLUEVITON	VITON®		
8. BASE GASKET	JT1810S	SUPREME65		
BASE GASKET (SOUR SERVICE)	JT1810V	VITON®		
** 9. WASHER (LOWER MEDIUM)	JT0863	ALUMINUM		
WASHER (LOWER LARGE)	JT0865	ALUMINUM		
** 10. WASHER (UPPER)	JT0860	ALUMINUM		
** 11. SCREW HHTL 1/4-20 X 3/4	JT0871	STAINLESS		
** 12. STEM 1/2 X 2 1/2	JT0850	ALUMINUM		
** 13. WASHER 1/4	JT0861	STAINLESS		
14. SPRING, PRESSURE (STANDARD 4 oz/IN <sup>2</sup> PLATED)				
4 oz/IN <sup>2</sup> (PLAIN)	JT0835	2 oz/IN <sup>2</sup> (BLACK)	JT0830	PLATED OR SS
6 oz/IN <sup>2</sup> (YELLOW)	JT0837	8 oz/IN <sup>2</sup> (ORANGE)	JT0838	STAINLESS
12 oz/IN <sup>2</sup> (WHITE)	JT0846	14 oz/IN <sup>2</sup> (GREEN)	JT0839	STAINLESS
16 oz/IN <sup>2</sup> (BLUE)	JT0847	24 oz/IN <sup>2</sup> (PURPLE)	JT0849	STAINLESS
** 15. SPRING, VACUUM 0.4 oz/IN <sup>2</sup>	JT0825	STAINLESS		
SPRING, VACUUM 1.0 oz/IN <sup>2</sup>	JT0826	STAINLESS		
16. LATCH ROLL PIN	JV0130	ZINC PLATED		
17. PUSH NUT, 1/4 (USE ONLY ONCE - THEN REPLACE)	JT0887			
18. HINGE PIN (LONG)	JT0885	GALVANIZED		
** WASHER, INTERNAL LOCK, BOTTOM	JT0872	STAINLESS		
MOUNTING BOLT AND NUT SET (16)	JT-B&N	ZINC PLATED		

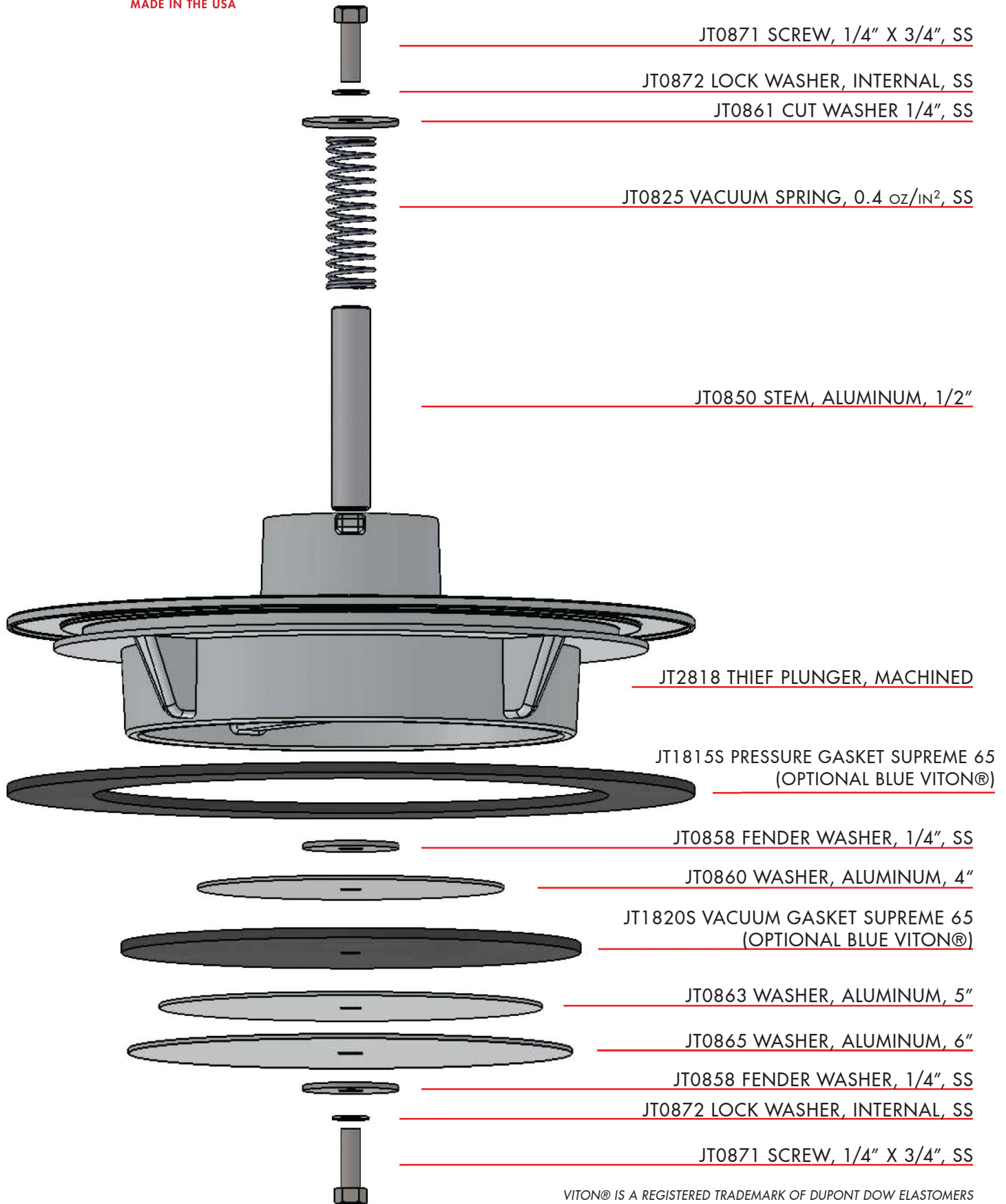
IN KEEPING WITH, AND FOR THE PURPOSE OF PRODUCT IMPROVEMENT, JAYCO RESERVES THE RIGHT TO MAKE DESIGN CHANGES WITHOUT PRIOR NOTICE.

\*\* INCLUDED WITH PRESSURE/VACUUM VALVE

VITON® IS A REGISTERED TRADEMARK OF DUPONT DOW ELASTOMERS

BULLETIN NUMBER 1015 23

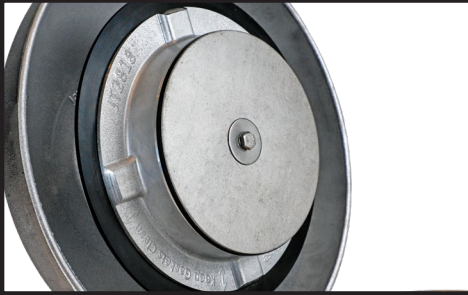
**JAYCO PARTS LIST**  
**JT2818S PLUNGER**



VITON® IS A REGISTERED TRADEMARK OF DUPONT DOW ELASTOMERS

# JAYCO THIEF HATCH GASKETS & PLUNGERS

JAYCO THIEF HATCH GASKETS ARE OFFERED IN THREE FLAVORS: SUPREME65, BLACK VITON®, AND BLUE VITON®. THESE GASKETS CAN BE ORDERED AS A TWO PIECE SET (PRESSURE AND VACUUM) OR ALREADY INSTALLED ON A NEW STYLE PLUNGER. CUSTOMERS WITH 8.1 PLUNGERS AND ORIGINAL STYLE PLUNGERS CAN UPGRADE THEIR HATCHES WITH THE NEW 8.2 PLUNGER. GASKETS LISTED BELOW ONLY WORK ON JAYCO 8.2 AND 8.1 STYLE PLUNGER.



## SUPREME65

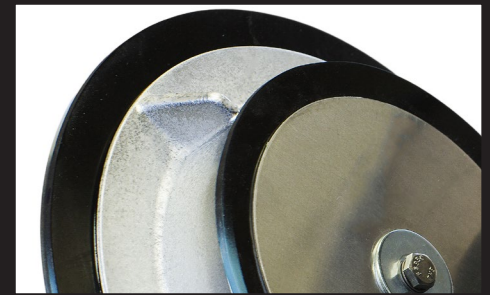
JAYCO SUPREME65 IS A HIGH GRADE OF BUNA NITRILE. THIS IS THE STANDARD GASKET MATERIAL FOR JAYCO THIEF HATCHES AND IS SUITABLE FOR A BROAD ARRAY OF APPLICATIONS. WHEN INSTALLED ON THE NEW STYLE PLUNGER, THESE GASKETS OFFER EXCELLENT SEALING PERFORMANCE.

**GASKET SET JT1SUPR65 2P • PLUNGER JT2818S**

## BLACK VITON®

JAYCO BLACK VITON® IS A FLAT GASKET SIMILAR TO THE SUPREME65 GASKET. VITON® HAS EXCELLENT CHEMICAL RESISTANCE AND IS A MUST HAVE GASKET FOR H2S ENVIRONMENTS. THE SEALING PERFORMANCE IS EXCELLENT. JAYCO BLACK VITON® GASKETS ARE MARKED ON THE SIDE WITH A LIGHT BLUE STRIPE AND ARE TREATED WITH A SWEET CINNAMON SCENT.

**GASKET SET JT1VITON 2P • PLUNGER JT2818V**



## BLUE VITON®

JAYCO BLUE VITON® IS A PREMIUM MOLDED GASKET MATERIAL. THE BLUE COLOR ENSURES THAT THE GASKET IS VITON®. JAYCO BLUE VITON® HAS EXCELLENT CHEMICAL RESISTANCE AND IS A MUST HAVE FOR H2S ENVIRONMENTS. THE SEALING PERFORMANCE IS EXCELLENT. THE BLUE GASKETS COMES STANDARD ON THE PEAK2 THIEF HATCH.

**GASKET SET JT1BLUEVITON • PLUNGER JT2818WV**



JAYCO THIEF HATCHES COME STANDARD WITH BUNA N GASKETS DESIGNED TO WORK IN NORMAL (SWEET CRUDE) OPERATION OF TANK SYSTEMS IN THE OILFIELD. IF YOUR APPLICATION WILL NOT WORK WITH BUNA N, YOU MUST ORDER THE APPROPRIATE GASKET MATERIAL FOR YOUR SITUATION.

### NITRILE SUPREME65

- SERVICE RATING: -40 TO 220 F
- GOOD MECHANICAL & PHYSICAL PROPERTIES
- RESISTANT TO: MOST NON-AROMATIC PETROLEUM-BASED FLUIDS AND GASES, COMPRESSION SET
- UV LIGHT : POOR
- A PREMIUM GRADE OF BUNA N

### FLUOROCARBON VITON® FLUOREL®\*

- SERVICE RATING: -45 TO 450 F
- RESISTANT TO: ACIDS (EXCELLENT), FUELS AND OIL (EXCELLENT), AROMATIC HYDROCARBONS (EXCELLENT), CHLORINATED SOLVENTS (EXCELLENT), ALCOHOLS (EXCELLENT)
- UV LIGHT (EXCELLENT)
- WEATHERING AND OZONE (EXCELLENT).

*RECOMMENDED FOR H2S PRODUCTION.*





JAYCO BLUE VITON® GASKETS ARE PREMIUM MOLDED GASKETS. ON THE JT-8.2, THE PRESSURE GASKET IS PLACED IN A DOWNWARD ORIENTATION TO ASSIST IN CENTERING THE PLUNGER ASSEMBLY, AID IN PLUNGER LIFT DURING VENTING, & PROVIDE A DUST SHIELD FOR THE SEALING SURFACE. THESE ARE EASILY IDENTIFIED AS VITON® BY THEIR RICH BLUE COLOR.

ON THE JT-20.2, JT-8.1, & JT-20.1 THE PRESSURE GASKET IS PLACED WITH THE LIPS UPWARDS TOWARD THE LID

THE OLDER STYLE JT-8 AND JT-20 (PRE OCTOBER 2011 MODEL) MUST BE UPDATED WITH THE NEW STYLE PLUNGER ASSEMBLIES TO USE THE BLUE VITON® WRAP GASKET SETS. SPECIFY P/N JT2818WV WHEN ORDERING.

SERVICE RATING: -45 TO 450F • RECOMMENDED FOR H2S PRODUCTION

THE JAYCO PEAK 2 THIEF HATCH IS DESIGNED WITH OUR NEW BLUE VITON® WRAP-A-ROUND PRESSURE GASKET FOR ENHANCED DURABILITY AND SEALING. THE PEAK 2 COMES COMPLETE WITH VITON® GASKETS AND STAINLESS STEEL PARTS. THE LID, BASE AND INTERNAL PLUNGER ARE TEFLON COATED MAKING THIS HATCH SUITABLE FOR DEMANDING ENVIRONMENTS.



VITON® IS A REGISTERED TRADEMARK OF DUPONT DOW ELASTOMERS

9412 NICHOLS ROAD • PO BOX 20026 • OKLAHOMA CITY, OK 73156

800-654-9263 • 405-751-6903 • FAX 405-755-7940 • WWW.JAYCO.ORG