

	JV 200 - 2"	JV 402 - 3"	JV 602 - 4"
1. VALVE BODY - ALUMINUM			
2. VALVE BODY CAP - ALUMINUM	JV0220	JV0420	JV0420
3. PRESSURE/VACUUM VALVE ASSEMBLY <i>COMPLETE</i>	JV0110	JV0311	JV0510
3a. PAN HEAD SCREW - ZINC PLATED	JV0156	JV0156	JV0156
3b. INTERNAL LOCK WASHER - ZINC PLATED	JV0155	JV0155	JV0155
3c. WASHER (SMALL) - ALUMINUM	JV0148	JV0150	JV0348
3d. WASHER (LARGE) - ALUMINUM	JV0150	JV0348	JV0350
** 3e. VACUUM GASKET - BUNA N	JV0152	JV0353	JV0352
VACUUM GASKET (SOUR SERVICE) - VITON®	JV0153	JV0354	JV0553
3f. VACUUM VALVE STEM - BRASS	JV0146	JV0146	JV0446
** 3g. VACUUM SPRING - STAINLESS STEEL	JV0144	JV0144	JV0444
4. SLIP-ON FLANGE - ALUMINUM	JV0136	JV0336	JV0436
5. SLIP-ON FLANGE BOLT - ZINC PLATED	JV0181	JV0181	JV0181
6. SLIP-ON FLANGE NUT - ZINC PLATED	JV0180	JV0180	JV0180
7. CONICAL LEVER SPRING - ZINC PLATED <i>OPTIONAL</i>	JV0262	JV0262	JV0262
** 8. PRESSURE O-RING GASKET - VITON® <i>CURRENT VALVES</i>	JV0141	JV0341	JV0440
PRESSURE CLIP-IN GASKET - BUNA N <i>ORIGINAL VALVES</i>	JV0142	JV0343	JV0342
9. SLIP-ON FLANGE GASKET - BUNA N	JV0134	JV0335	JV0434
10. EYE BOLT - ALUMINUM	JV0126	JV0126	JV0126
11. HEX NUT - ZINC PLATED <i>REPLACES WING NUT</i>	JV0137	JV0137	JV0137
12. LEVER - ALUMINUM <i>OPTIONAL</i>	JV0230	JV0431	JV0431
13. GROOVE PIN - ZINC PLATED	JV0131	JV0131	JV0131
PRESSURE WEIGHT 1.0 oz - BRONZE	JV0260B	JV0360B	JV0460B
PRESSURE WEIGHT 0.5 oz - BRONZE	JV0260A	JV0360A	JV0460A
LEVER ROLL PIN - ZINC PLATED <i>DISCONTINUED</i>	JV0264	JV0264	JV0264

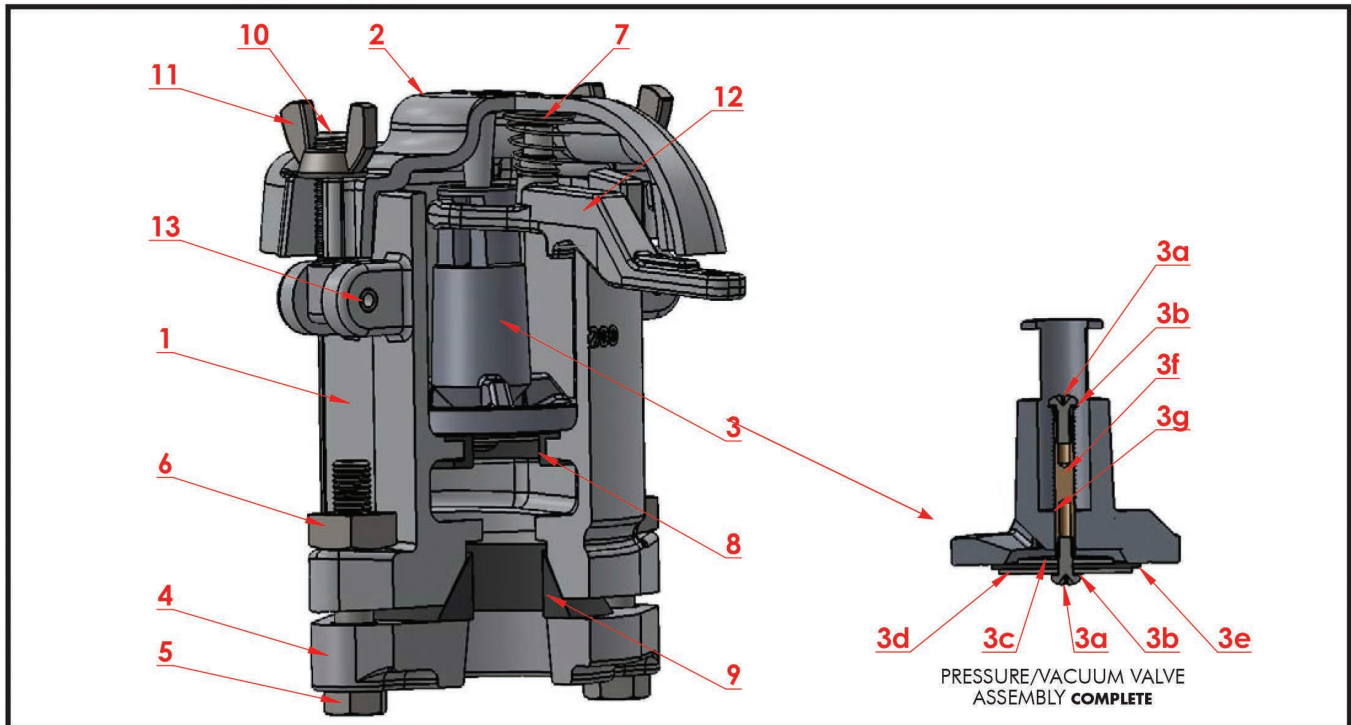
HIGHER WEIGHT SETTINGS VISIT: [WWW.JAYCO.ORG/PRODUCTS-CATEGORY/JAYCO-VENT-VALVE/](http://WWW.JAYCO.ORG/PRODUCTS-CATEGORY/JAYCO-VENT-VALVE/)

IN KEEPING WITH, AND FOR THE PURPOSE OF PRODUCT IMPROVEMENT, JAYCO RESERVES THE RIGHT TO MAKE DESIGN CHANGES WITHOUT PRIOR NOTICE.

\*\* REPAIR KIT

VITON® IS A REGISTERED TRADEMARK OF DUPONT DOW ELASTOMERS

BULLETIN NUMBER 1015 23



	JV 401 - 3"	JV 600 - 4"
1. VALVE BODY - ALUMINUM		
2. VALVE BODY CAP - ALUMINUM	JV0421	JV0420
3. PRESSURE/VACUUM VALVE ASSEMBLY <i>COMPLETE</i>	JV0311	JV0510
3a. PAN HEAD SCREW - ZINC PLATED	JV0156	JV0156
3b. INTERNAL LOCK WASHER - ZINC PLATED	JV0155	JV0155
3c. WASHER (SMALL) - ALUMINUM	JV0150	JV0348
3d. WASHER (LARGE) - ALUMINUM	JV0348	JV0350
** 3e. VACUUM GASKET - BUNA N	JV0353	JV0352
VACUUM GASKET (SOUR SERVICE) - VITON®	JV0354	JV0553
3f. VACUUM VALVE STEM - BRASS	JV0146	JV0446
** 3g. VACUUM SPRING - STAINLESS STEEL	JV0144	JV0444
4. SLIP-ON FLANGE - ALUMINUM	JV0337	JV0436
5. SLIP-ON FLANGE BOLT - ZINC PLATED	JV0181	JV0181
6. SLIP-ON FLANGE NUT - ZINC PLATED	JV0180	JV0180
7. CONICAL LEVER SPRING - ZINC PLATED <i>OPTIONAL</i>	JV0262	JV0262
** 8. PRESSURE O-RING GASKET - VITON® <i>CURRENT VALVES</i>	JV0341	JV0440
PRESSURE CLIP-IN GASKET - BUNA N <i>ORIGINAL VALVES</i>	JV0343	JV0342
9. SLIP-ON FLANGE GASKET - BUNA N	JV0335	JV0434
10. EYE BOLT - ALUMINUM	JV0126	JV0126
11. HEX NUT - ZINC PLATED <i>REPLACES WING NUT</i>	JV0137	JV0137
12. LEVER - ALUMINUM <i>OPTIONAL</i>	JV0431	JV0431
13. GROOVE PIN - ZINC PLATED	JV0131	JV0131
PRESSURE WEIGHT 1.0 oz - BRONZE	JV0360B	JV0460B
PRESSURE WEIGHT 0.5 oz - BRONZE	JV0360A	JV0460A
LEVER ROLL PIN - ZINC PLATED <i>DISCONTINUED</i>	JV0264	JV0264

HIGHER WEIGHT SETTINGS VISIT: [WWW.JAYCO.ORG/PRODUCTS-CATEGORY/JAYCO-VENT-VALVE/](http://WWW.JAYCO.ORG/PRODUCTS-CATEGORY/JAYCO-VENT-VALVE/)

IN KEEPING WITH, AND FOR THE PURPOSE OF PRODUCT IMPROVEMENT, JAYCO RESERVES THE RIGHT TO MAKE DESIGN CHANGES WITHOUT PRIOR NOTICE.

\*\* REPAIR KIT

VITON® IS A REGISTERED TRADEMARK OF DUPONT DOW ELASTOMERS

BULLETIN NUMBER 1015 23