



JAYCO NON-VENTING HATCH MAINTENANCE

BEFORE PROCEEDING WITH MAINTENANCE ON THE NON-VENT HATCH, CONSULT YOUR COMPANY'S SAFETY AND OPERATIONS MANUALS CONCERNING THE DANGERS INVOLVED WITH WORKING ON A THIEF HATCH AND TANK BATTERY. **USE EXTREME CAUTION!**

OBSERVE...

- THE OPERATION OF THE THIEF HATCH, IS IT HOLDING PRESSURE?
- DOES IT RELIEF PRESSURE AS SET?

CLEAN...

- KEEP THE GASKETS AND MOVING PARTS FREE OF DIRT AND RESIDUE

INSPECT...

- THE GASKETS FOR WEAR, CRACKING AND SWELLING; REPLACE AS NEEDED
- THE ALUMINUM SEATS ON THE BASE AND PLUNGER FOR DAMAGE AND REPAIR OR REPLACE AS NEEDED

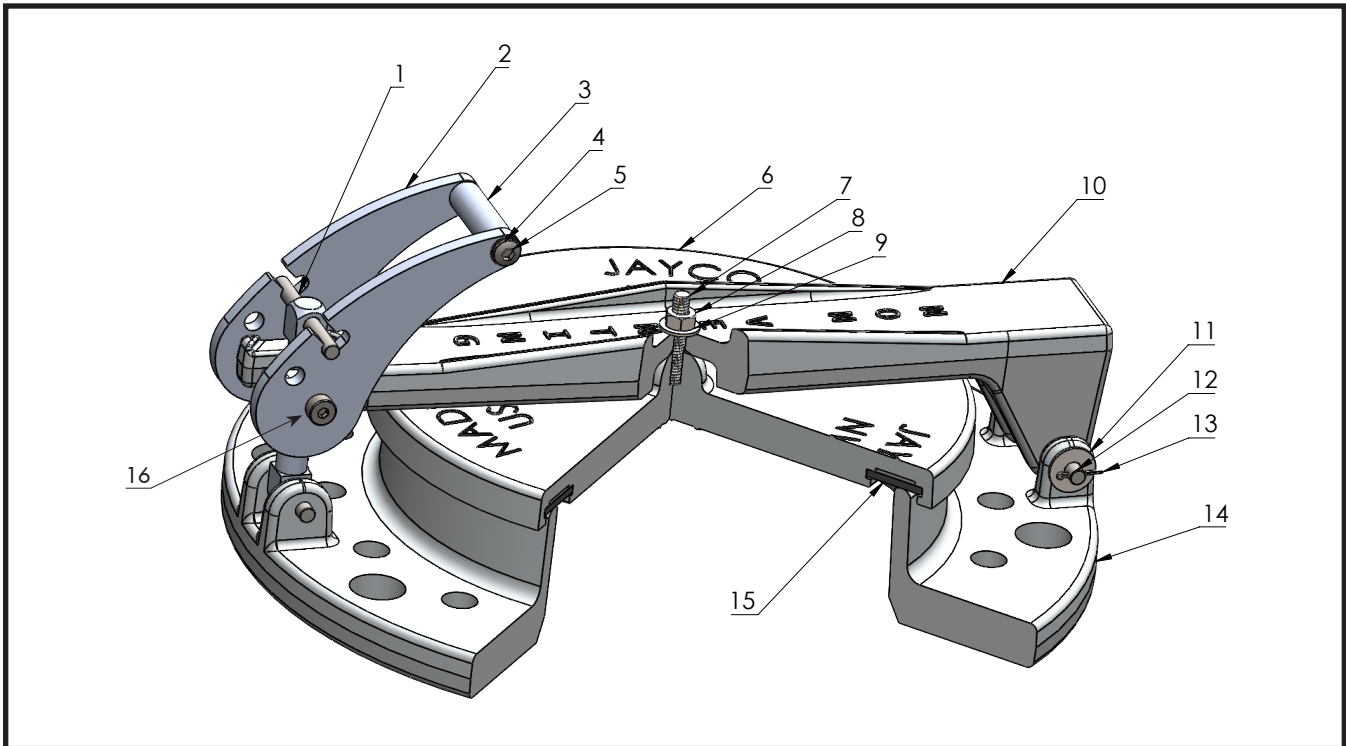
REPAIR OR REPLACE...

- REPLACE GASKETS WITH JAYCO GASKETS SETS ONLY
- IF H₂S IS PRESENT OR OTHER CHEMICALS THAT REACT WITH THE CURRENT GASKETS, REPLACE WITH VITON® GASKET SETS
- IF AMBIENT TEMPERATURE IS ABOVE 200 DEGREES F, REPLACE GASKETS WITH VITON®

ORDER JAYCO PARTS FROM YOUR LOCAL OILFIELD SUPPLY COMPANY OR TANK MANUFACTURER

THE FOLLOWING PAGES WILL ASSIST YOUR SELECTION OF REPLACEMENT PARTS

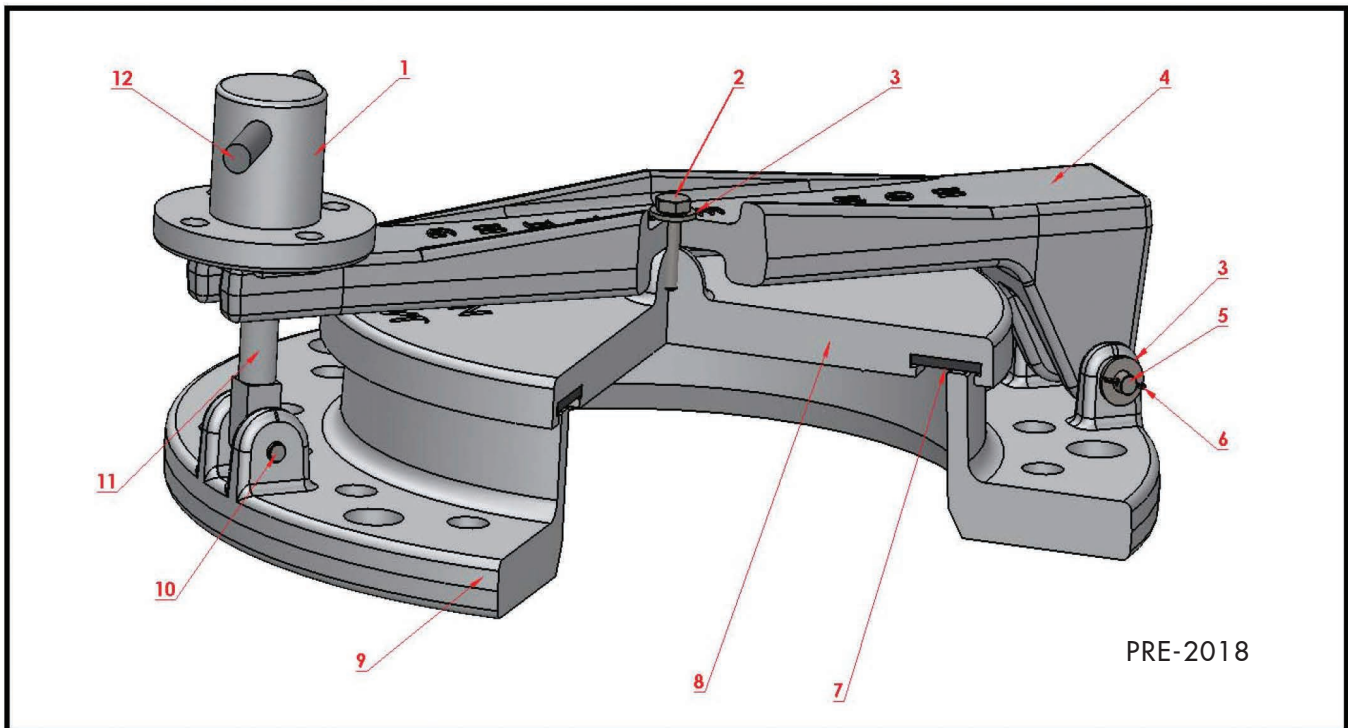
**** KEEP THE THIEF HATCH CLEAN AND INSPECT ON A REGULAR BASIS ****



1. TIE ROD ASSEMBLY	NV8015	SS & ALUMINUM
2. BRACKET	NV8020	ALUMINUM
3. STANDOFF BAR 1/2"	NV0837	ALUMINUM
4. INTERNAL LOCK WASHER	JT0872	STAINLESS
5. BUTTON HEAD SCREW 1/4" X 3/4"	NV0862	STAINLESS
6. LID	NV8021	ALUMINUM
7. LID STUD	NV0866	STAINLESS
8. NYLOCK NUT	NV0861	STAINLESS
9. WASHER 5/8"	JT0859	STAINLESS
10. ARM	NV8002	ALUMINUM
11. WASHER 3/4"	JT0861	STAINLESS
12. HINGE PIN, 1/4" X 3-1/4"	NV0876	STAINLESS
13. COTTER PIN	JT0869	STAINLESS
14. BASE	NV8011	ALUMINUM
15. PRESSURE GASKET	JT1815S	SUPREME65
PRESSURE GASKET (SOUR SERVICE)	JT1815V	VITON®
16. SHOULDER SCREW	NV8035	STAINLESS

IN KEEPING WITH, AND FOR THE PURPOSE OF PRODUCT IMPROVEMENT, JAYCO RESERVES THE RIGHT TO MAKE DESIGN CHANGES WITHOUT PRIOR NOTICE.

VITON® IS A REGISTERED TRADEMARK OF DUPONT DOW ELASTOMERS



1. HATCH NUT	NV8031	ALUMINUM
2. HEX CAP SCREW 1/4"-20 X 1"	NV0860	STAINLESS
3. 1/4" CUT WASHER	JT0859	STAINLESS
4. ARM	NV8002	ALUMINUM
5. HINGE PIN, 1/4" X 3-1/4"	NV0876	STAINLESS
6. COTTER PIN	JT0869	STAINLESS
7. PRESSURE GASKET	JT1815S	SUPREME65
PRESSURE GASKET (SOUR SERVICE)	JT1815V	VITON®
8. LID	NV8021	ALUMINUM
9. BASE	NV8011	ALUMINUM
10. GROOVE PIN 1/4" X 1-3/4"	NV8055	STAINLESS
11. ALUMINUM EYE BOLT 1/2"-13 X 3"	NV8007	ALUMINUM
12. GROOVE PIN 3/8" X 3-1/2"	NV0850	ZINC PLATED

IN KEEPING WITH, AND FOR THE PURPOSE OF PRODUCT IMPROVEMENT, JAYCO RESERVES THE RIGHT TO MAKE DESIGN CHANGES WITHOUT PRIOR NOTICE.

VITON® IS A REGISTERED TRADEMARK OF DUPONT DOW ELASTOMERS