

1. BASE (RECOMMENDED TORQUE 16-18 FT-LBS)	JT2035	ALUMINUM
2. LONG PAN	JT2045	ALUMINUM
3. LID	JT2055	ALUMINUM
4. PRESSURE/VACUUM VALVE COMPLETE (INCLUDES **)	JT1818S	ALUMINUM
5. LATCH	JT8205	ALUMINUM
**6 & 7. PRESSURE & VACUUM GASKET SET (JT1815S & JT1820S)	JT1SUPR652P	SUPREME65
PRESSURE & VACUUM SOUR SERV. SET (JT1815V & JT1820V)	JT1VITON2P	VITON®
PRESSURE & VACUUM BLUE WRAP SET (JT1815WV & JT1820WV)	JT1VITONW	VITON®
8. BASE GASKET	JT1810S	SUPREME65
BASE GASKET (SOUR SERVICE)	JT1810V	VITON®
** 9. WASHER (LOWER)	JT0863	ALUMINUM
** 10. WASHER (UPPER)	JT0860	ALUMINUM
** 11. SCREW HHTL 1/4-20 X 3/4	JT0871	STAINLESS
** 12. STEM 1/2 X 2 1/2	JT0850	ALUMINUM
** 13. WASHER 1/4	JT0861	STAINLESS
14. SPRING, PRESSURE (STANDARD 4 oz PLATED)		
4 oz (PLAIN) JT0835	2 oz (BLACK) JT0830	PLATED OR SS
6 oz (YELLOW) JT0837	8 oz (ORANGE) JT0838	STAINLESS
12 oz (WHITE) JT0846	14 oz (GREEN) JT0839	STAINLESS
16 oz (BLUE) JT0847	24 oz (PURPLE) JT0849	STAINLESS
** 15. SPRING, VACUUM	JT0825	STAINLESS
16. LATCH ROLL PIN	JV0130	ZINC PLATED
17. PUSH NUT, 1/4 (USE ONLY ONCE - THEN REPLACE)	JT0887	
18. HINGE PIN (LONG)	JT0885	GALVANIZED
** WASHER, INTERNAL LOCK, BOTTOM	JT0872	STAINLESS
MOUNTING BOLT AND NUT SET (16)	JT-B&N	ZINC PLATED

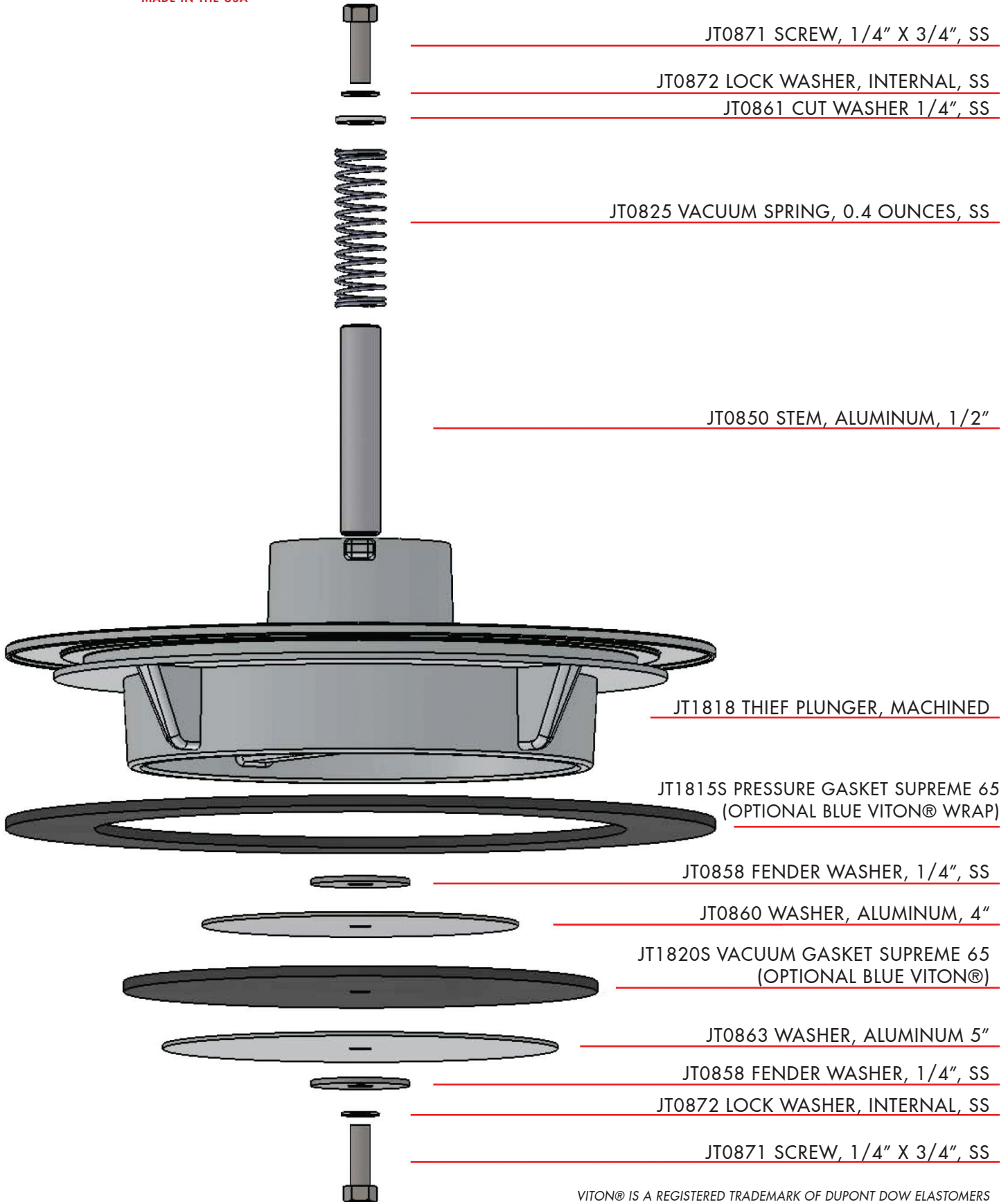
IN KEEPING WITH, AND FOR THE PURPOSE OF PRODUCT IMPROVEMENT, JAYCO RESERVES THE RIGHT TO MAKE DESIGN CHANGES WITHOUT PRIOR NOTICE.

** INCLUDED WITH PRESSURE/VACUUM VALVE

VITON® IS A REGISTERED TRADEMARK OF DUPONT DOW ELASTOMERS

BULLETIN NUMBER 1015 23

JAYCO PARTS LIST
JT1818S PLUNGER



JT0871 SCREW, 1/4" X 3/4", SS

JT0872 LOCK WASHER, INTERNAL, SS

JT0861 CUT WASHER 1/4", SS

JT0825 VACUUM SPRING, 0.4 OUNCES, SS

JT0850 STEM, ALUMINUM, 1/2"

JT1818 THIEF PLUNGER, MACHINED

JT1815S PRESSURE GASKET SUPREME 65
 (OPTIONAL BLUE VITON® WRAP)

JT0858 FENDER WASHER, 1/4", SS

JT0860 WASHER, ALUMINUM, 4"

JT1820S VACUUM GASKET SUPREME 65
 (OPTIONAL BLUE VITON®)

JT0863 WASHER, ALUMINUM 5"

JT0858 FENDER WASHER, 1/4", SS

JT0872 LOCK WASHER, INTERNAL, SS

JT0871 SCREW, 1/4" X 3/4", SS

VITON® IS A REGISTERED TRADEMARK OF DUPONT DOW ELASTOMERS