



# JAYCO THIEF HATCH MAINTENANCE

BEFORE PROCEEDING WITH MAINTENANCE ON THE THIEF HATCH, CONSULT YOUR COMPANY'S SAFETY AND OPERATIONS MANUALS CONCERNING THE DANGERS INVOLVED WITH WORKING ON A THIEF HATCH AND TANK BATTERY. **USE EXTREME CAUTION!**

## OBSERVE...

- THE OPERATION OF THE THIEF HATCH, IS IT HOLDING PRESSURE?
- DOES IT RELIEVE PRESSURE AS SET?

## CLEAN...

- KEEP THE GASKETS AND MOVING PARTS FREE OF DIRT AND RESIDUE

## INSPECT...

- THE GASKETS FOR WEAR, CRACKING AND SWELLING; REPLACE AS NEEDED
- THE ALUMINUM SEATS ON THE BASE AND PLUNGER FOR DAMAGE AND REPAIR OR REPLACE AS NEEDED

## REPAIR OR REPLACE...

- REPLACE GASKETS WITH JAYCO GASKETS SETS ONLY
- IF H<sub>2</sub>S IS PRESENT OR OTHER CHEMICALS THAT REACT WITH THE CURRENT GASKETS, REPLACE WITH VITON® GASKET SETS
- IF AMBIENT TEMPERATURE IS ABOVE 200 DEGREES F, REPLACE GASKETS WITH VITON®

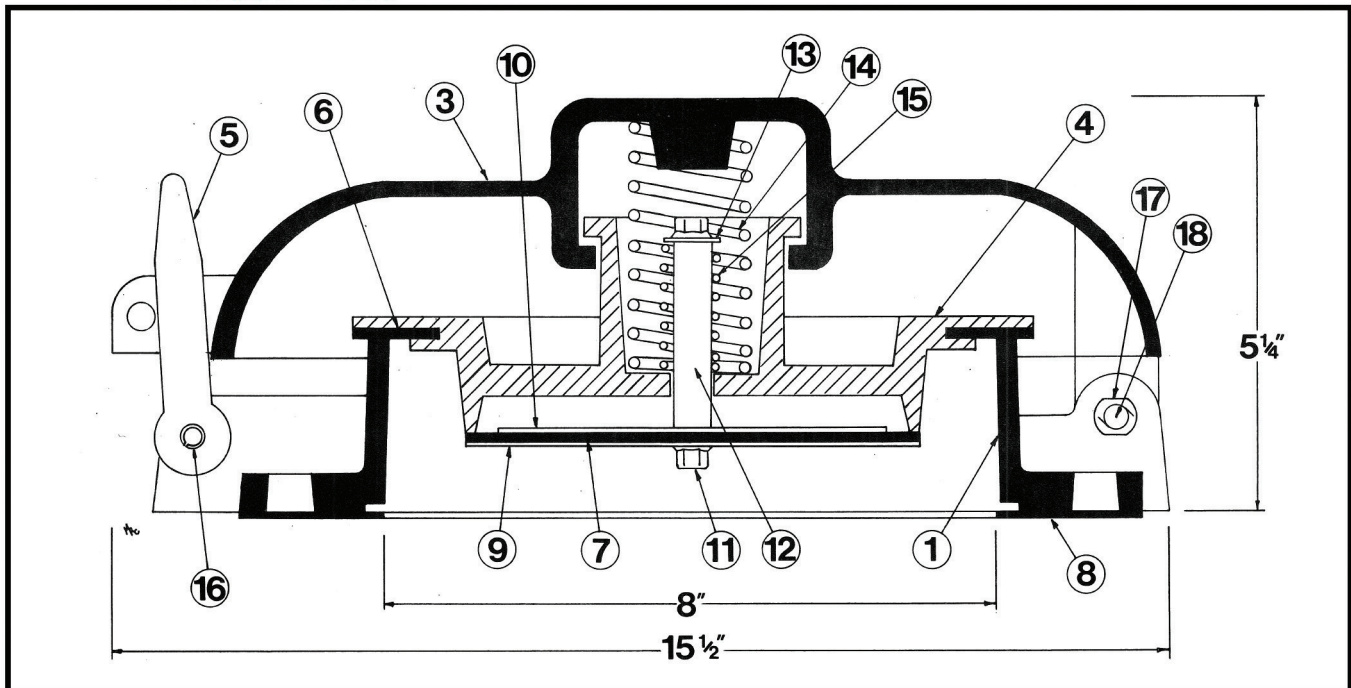
ORDER JAYCO PARTS FROM YOUR LOCAL OILFIELD SUPPLY COMPANY OR TANK MANUFACTURER

## THE FOLLOWING PAGES WILL ASSIST YOUR SELECTION OF REPLACEMENT PARTS

**\*\* KEEP THE THIEF HATCH CLEAN AND INSPECT ON A REGULAR BASIS \*\***

IF LEAKS PERSIST, ORDER THE REDESIGNED JAYCO PLUNGER ASSEMBLY DESIGNED FOR GREATER SEALING - PART NO. JT1818S WITH SUPREME65 (HIGH GRADE BUNA N) GASKETS OR JT1818V WHICH HAS VITON® GASKETS.

PAGE 1	JT-8.1 PARTS LIST FOR JAYCO HATCHES MADE AFTER OCTOBER 2011
PAGE 2	JT-20.1 PARTS LIST FOR JAYCO HATCHES MADE AFTER OCTOBER 2011
PAGE 3	IDENTIFYING THE STYLE OF PLUNGER FOR ORDERING REPLACEMENT PARTS
PAGE 4	EXPANDED VIEW OF THE NEW JAYCO PLUNGER WITH PART NUMBERS



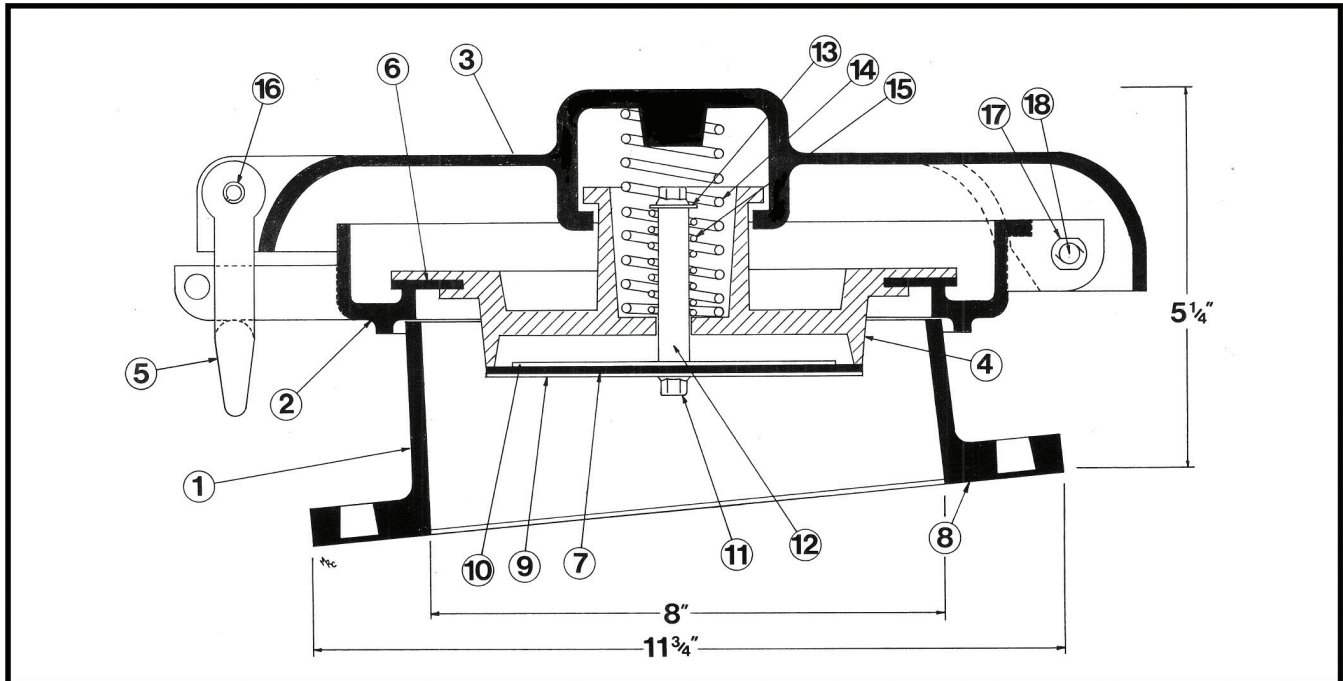
1. BASE (RECOMMENDED TORQUE 16-18 FT-LBS)	JT8172	ALUMINUM
3. LID	JT18176	ALUMINUM
4. PRESSURE/VACUUM VALVE COMPLETE (INCLUDES **)	JT1818S	ALUMINUM
5. LATCH	JT8205	ALUMINUM
**6 & 7. PRESSURE & VACUUM GASKET SET (JT1815S & JT1820S)	JT1SUPR652P	SUPREME65
PRESSURE & VACUUM SOUR SERV. SET (JT1815V & JT1820V)	JT1VITON2P	VITON®
PRESSURE & VACUUM BLUE WRAP SET (JT1815WV & JT1820WV)	JT1VITONW	VITON®
8. BASE GASKET	JT1810S	SUPREME65
BASE GASKET (SOUR SERVICE)	JT1810V	VITON®
** 9. WASHER (LOWER)	JT0863	ALUMINUM
** 10. WASHER (UPPER)	JT0860	ALUMINUM
** 11. SCREW HHTL 1/4-20 X 3/4	JT0871	STAINLESS
** 12. STEM 1/2 X 2 1/2	JT0850	ALUMINUM
** 13. WASHER 1/4	JT0861	STAINLESS
14. SPRING, PRESSURE (STANDARD 4 oz PLATED)		
4 oz (PLAIN) JT0835	2 oz (BLACK) JT0830	PLATED OR SS
6 oz (YELLOW) JT0837	8 oz (ORANGE) JT0838	STAINLESS
12 oz (WHITE) JT0846	14 oz (GREEN) JT0839	STAINLESS
16 oz (BLUE) JT0847	24 oz (PURPLE) JT0849	STAINLESS
** 15. SPRING, VACUUM	JT0825	STAINLESS
16. LATCH ROLL PIN	JV0130	ZINC PLATED
17. PUSH NUT, 1/4 (USE ONLY ONCE - THEN REPLACE)	JT0887	
18. HINGE PIN (SHORT)	JT0875	GALVANIZED
** WASHER, INTERNAL LOCK, BOTTOM	JT0872	STAINLESS
MOUNTING BOLT AND NUT SET (16)	JT-B&N	ZINC PLATED

IN KEEPING WITH, AND FOR THE PURPOSE OF PRODUCT IMPROVEMENT, JAYCO RESERVES THE RIGHT TO MAKE DESIGN CHANGES WITHOUT PRIOR NOTICE.

\*\* INCLUDED WITH PRESSURE/VACUUM VALVE

VITON® IS A REGISTERED TRADEMARK OF DUPONT DOW ELASTOMERS

BULLETIN NUMBER 1015 23



1. BASE (RECOMMENDED TORQUE 16-18 FT-LBS)	JT2035	ALUMINUM
2. LONG PAN	JT2045	ALUMINUM
3. LID	JT2055	ALUMINUM
4. PRESSURE/VACUUM VALVE COMPLETE (INCLUDES **)	JT1818S	ALUMINUM
5. LATCH	JT8205	ALUMINUM
**6 & 7. PRESSURE & VACUUM GASKET SET (JT1815S & JT1820S)	JT1SUPR652P	SUPREME65
PRESSURE & VACUUM SOUR SERV. SET (JT1815V & JT1820V)	JT1VITON2P	VITON®
PRESSURE & VACUUM BLUE WRAP SET (JT1815WV & JT1820WV)	JT1VITONW	VITON®
8. BASE GASKET	JT1810S	SUPREME65
BASE GASKET (SOUR SERVICE)	JT1810V	VITON®
** 9. WASHER (LOWER)	JT0863	ALUMINUM
** 10. WASHER (UPPER)	JT0860	ALUMINUM
** 11. SCREW HHTL 1/4-20 X 3/4	JT0871	STAINLESS
** 12. STEM 1/2 X 2 1/2	JT0850	ALUMINUM
** 13. WASHER 1/4	JT0861	STAINLESS
14. SPRING, PRESSURE (STANDARD 4 oz PLATED)		
4 oz (PLAIN) JT0835	2 oz (BLACK) JT0830	PLATED OR SS
6 oz (YELLOW) JT0837	8 oz (ORANGE) JT0838	STAINLESS
12 oz (WHITE) JT0846	14 oz (GREEN) JT0839	STAINLESS
16 oz (BLUE) JT0847	24 oz (PURPLE) JT0849	STAINLESS
** 15. SPRING, VACUUM	JT0825	STAINLESS
16. LATCH ROLL PIN	JV0130	ZINC PLATED
17. PUSH NUT, 1/4 (USE ONLY ONCE - THEN REPLACE)	JT0887	
18. HINGE PIN (LONG)	JT0885	GALVANIZED
** WASHER, INTERNAL LOCK, BOTTOM	JT0872	STAINLESS
MOUNTING BOLT AND NUT SET (16)	JT-B&N	ZINC PLATED

IN KEEPING WITH, AND FOR THE PURPOSE OF PRODUCT IMPROVEMENT, JAYCO RESERVES THE RIGHT TO MAKE DESIGN CHANGES WITHOUT PRIOR NOTICE.

\*\* INCLUDED WITH PRESSURE/VACUUM VALVE

VITON® IS A REGISTERED TRADEMARK OF DUPONT DOW ELASTOMERS

BULLETIN NUMBER 1015 23

## UPGRADE ORIGINAL JAYCO THIEF HATCHES

JT-8 & JT-20



### NEW STYLE PLUNGER

INTRODUCED FALL 2011

GREATLY IMPROVE THE SEALING PERFORMANCE OF ORIGINAL STYLE JAYCO THIEF HATCHES WITH THE NEW JAYCO PLUNGER ASSEMBLY. THIS PLUNGER IS FEATURED IN THE NEW JT-8.1 AND JT-20.1 AND UPGRADES OLDER JAYCO THIEF HATCHES TO THE NEW STANDARD OF PERFORMANCE. P/N JT1818S FOR SUPREME65 OR JT1818WV FOR BLUE VITON®.

### THE ADVANTAGES OF SWAPPING OUT THE PLUNGERS ARE GREAT

- GREATER SEALING PERFORMANCE
- LESS THAN 1.0 SCFH @ 90% SET PRESSURE
- ALL NEW MOVING PARTS INSIDE THE HATCH
- QUICK AND EASY REPLACEMENT
- NO TOOLS ARE REQUIRED
- NO NEED TO DISASSEMBLE THE PLUNGER TO INSTALL VACUUM GASKETS
- UPGRADE ALL OF YOUR ORIGINAL JAYCO HATCHES TO A SINGLE STANDARD AND SIMPLIFY YOUR FUTURE GASKET ORDERING

### ORIGINAL STYLE PLUNGER

DISCONTINUED FALL 2011

GASKETS FOR THE ORIGINAL PLUNGER ARE STILL AVAILABLE. USE P/N JT\*SUPR65 2P FOR SUPREME65 GASKETS AND JT\*VITON 2P FOR VITON® GASKETS. THESE GASKETS ONLY WORK WITH THE OLDER PLUNGERS AND WILL NOT FIT ON THE NEW STYLE PLUNGER.

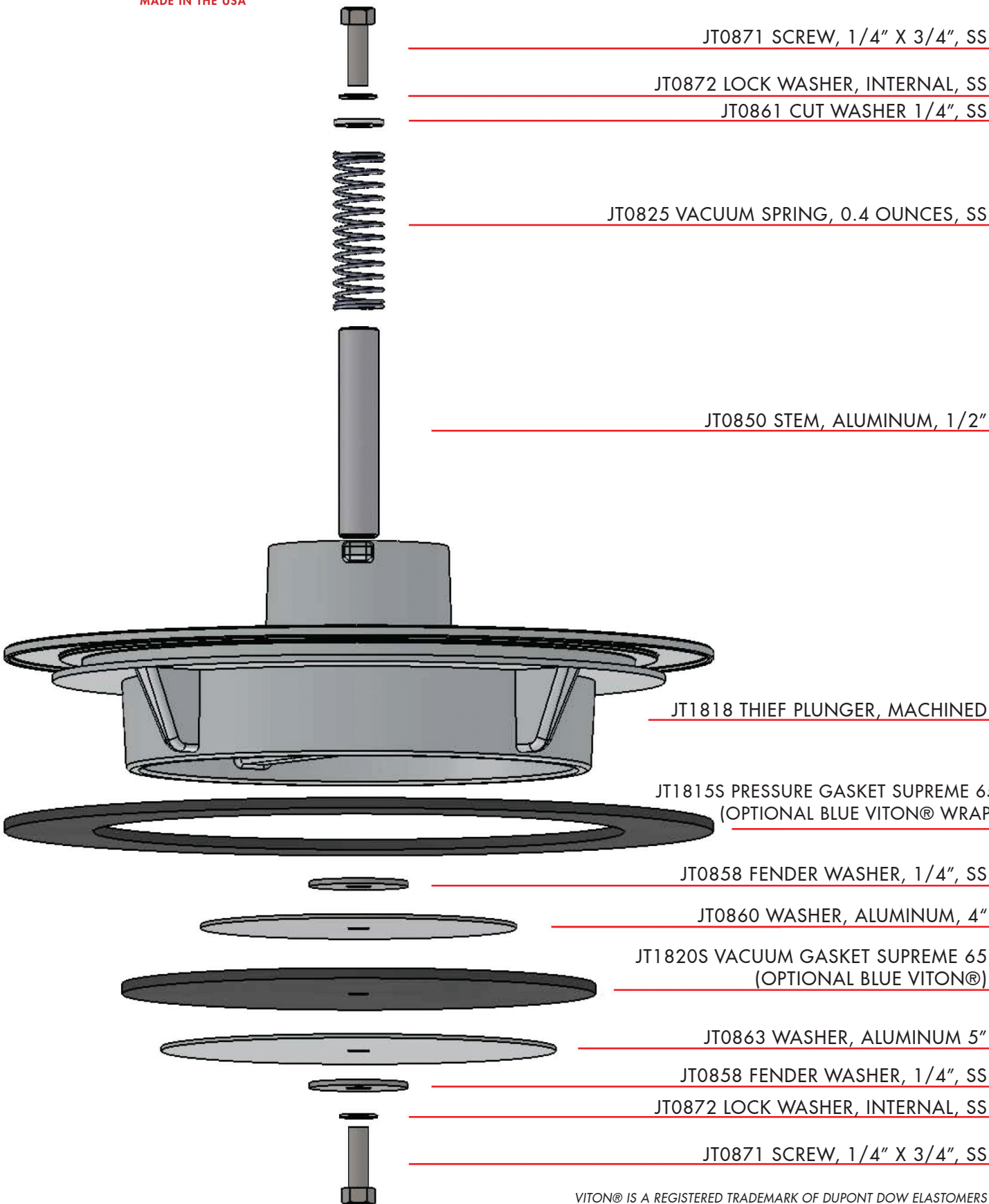
VITON® IS A REGISTERED TRADEMARK OF DUPONT DOW ELASTOMERS



9412 NICHOLS ROAD • PO BOX 20026 • OKLAHOMA CITY, OK 73156

800-654-9263 • 405-751-6903 • FAX 405-755-7940 • WWW.JAYCO.ORG

**JAYCO PARTS LIST**  
**JT1818S PLUNGER**



JT0871 SCREW, 1/4" X 3/4", SS

JT0872 LOCK WASHER, INTERNAL, SS

JT0861 CUT WASHER 1/4", SS

JT0825 VACUUM SPRING, 0.4 OUNCES, SS

JT0850 STEM, ALUMINUM, 1/2"

JT1818 THIEF PLUNGER, MACHINED

JT1815S PRESSURE GASKET SUPREME 65  
 (OPTIONAL BLUE VITON® WRAP)

JT0858 FENDER WASHER, 1/4", SS

JT0860 WASHER, ALUMINUM, 4"

JT1820S VACUUM GASKET SUPREME 65  
 (OPTIONAL BLUE VITON®)

JT0863 WASHER, ALUMINUM 5"

JT0858 FENDER WASHER, 1/4", SS

JT0872 LOCK WASHER, INTERNAL, SS

JT0871 SCREW, 1/4" X 3/4", SS

VITON® IS A REGISTERED TRADEMARK OF DUPONT DOW ELASTOMERS