



THE PURPOSE OF THE THIEF HATCH IS TO WORK IN TANDEM WITH THE VENT VALVE TO MINIMIZE THE ESCAPE OF LIGHT ENDS OF CRUDE IN LEASE STORAGE BY MAINTAINING A PRESSURE ON THE TANK. A VACUUM RELIEF FUNCTION IS ALSO STANDARD. THE THIEF HATCH PERMITS ACCESS TO THE CONTENTS OF THE TANK FOR SAMPLING AND GAUGING. THE VENT VALVE SHOULD BE SET TO VENT PRESSURE BEFORE THE THIEF HATCH.

JAYCO THIEF HATCHES ARE DESIGNED FOR OPTIMUM PERFORMANCE AND EASY CLEANING AND MAINTENANCE, WITH STANDARD SETTINGS OF 4.0 OUNCE PRESSURE AND 0.4 OUNCE VACUUM WITH OPTIONAL SPRINGS FOR 2, 6, 8, 12, 14, AND 16 OUNCE PRESSURE SETTINGS. JAYCO THIEF HATCHES ALLOWS LESS THAN 1.0 CFH @ 90% OF SET PRESSURE. BASE GASKET STANDARD WITH HATCH.

JT-8.1 SPECIFICATIONS

BASE AND LID SIZE:	NOMINAL 8" ROUND
BOLT PATTERN:	16 HOLES AT 10 3/8" CIRCLE (API) (RECOMMENDED TORQUE 16-18 FT-LBS)
CONSTRUCTION:	ALL ALUMINUM CASTINGS
SYSTEM OPERATIONS:	SPRING LOADED PRESSURE AND VACUUM
STANDARD SETTINGS:	4 OZ. PRESSURE 0.4 OZ. VACUUM
GASKET MATERIAL:	SUPREME65, BLACK VITON® OR BLUE VITON®
BASE GASKET:	INCLUDED

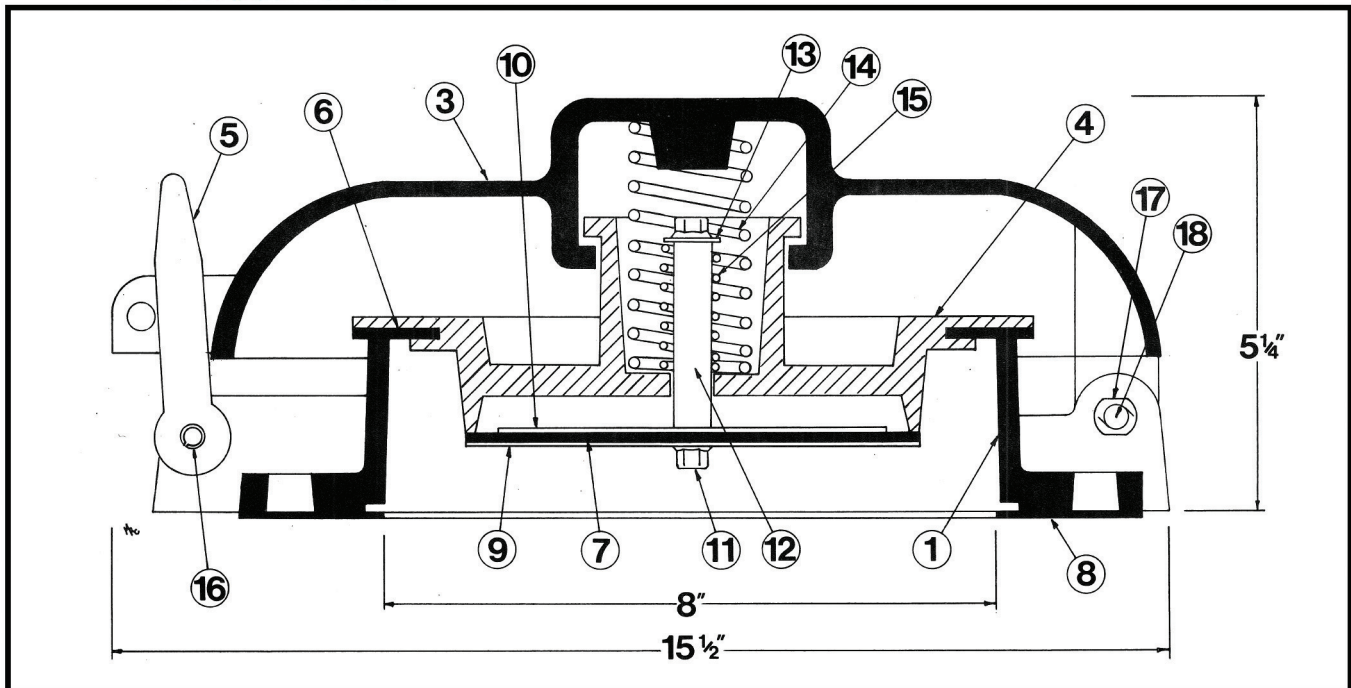
PRESSURE SPRINGS



APPROXIMATE SHIPPING WEIGHT: 14 LBS • VITON® IS A REGISTERED TRADEMARK OF DUPONT DOW ELASTOMERS

9412 NICHOLS ROAD • PO BOX 20026 • OKLAHOMA CITY, OK 73156

800-654-9263 • 405-751-6903 • FAX 405-755-7940 • WWW.JAYCO.ORG



1. BASE (RECOMMENDED TORQUE 16-18 FT-LBS)	JT8172	ALUMINUM
3. LID	JT18176	ALUMINUM
4. PRESSURE/VACUUM VALVE COMPLETE (INCLUDES **)	JT1818S	ALUMINUM
5. LATCH	JT8205	ALUMINUM
**6 & 7. PRESSURE & VACUUM GASKET SET (JT1815S & JT1820S)	JT1SUPR652P	SUPREME65
PRESSURE & VACUUM SOUR SERV. SET (JT1815V & JT1820V)	JT1VITON2P	VITON®
PRESSURE & VACUUM BLUE WRAP SET (JT1815WV & JT1820WV)	JT1VITONW	VITON®
8. BASE GASKET	JT1810S	SUPREME65
BASE GASKET (SOUR SERVICE)	JT1810V	VITON®
** 9. WASHER (LOWER)	JT0863	ALUMINUM
** 10. WASHER (UPPER)	JT0860	ALUMINUM
** 11. SCREW HHTL 1/4-20 X 3/4	JT0871	STAINLESS
** 12. STEM 1/2 X 2 1/2	JT0850	ALUMINUM
** 13. WASHER 1/4	JT0861	STAINLESS
14. SPRING, PRESSURE (STANDARD 4 oz PLATED)		
4 oz (PLAIN) JT0835	2 oz (BLACK) JT0830	PLATED OR SS
6 oz (YELLOW) JT0837	8 oz (ORANGE) JT0838	STAINLESS
12 oz (WHITE) JT0846	14 oz (GREEN) JT0839	STAINLESS
16 oz (BLUE) JT0847	24 oz (PURPLE) JT0849	STAINLESS
** 15. SPRING, VACUUM	JT0825	STAINLESS
16. LATCH ROLL PIN	JV0130	ZINC PLATED
17. PUSH NUT, 1/4 (USE ONLY ONCE - THEN REPLACE)	JT0887	
18. HINGE PIN (SHORT)	JT0875	GALVANIZED
** WASHER, INTERNAL LOCK, BOTTOM	JT0872	STAINLESS
MOUNTING BOLT AND NUT SET (16)	JT-B&N	ZINC PLATED

IN KEEPING WITH, AND FOR THE PURPOSE OF PRODUCT IMPROVEMENT, JAYCO RESERVES THE RIGHT TO MAKE DESIGN CHANGES WITHOUT PRIOR NOTICE.

** PRESSURE/VACUUM VALVE INCLUDES THESE PARTS PLUS MORE UNSHOWN PARTS

BULLETIN NUMBER 1015 12

VITON® IS A REGISTERED TRADEMARK OF DUPONT DOW ELASTOMERS



THE PURPOSE OF THE THIEF HATCH IS TO WORK IN TANDEM WITH THE VENT VALVE TO MINIMIZE THE ESCAPE OF LIGHT ENDS OF CRUDE IN LEASE STORAGE BY MAINTAINING A PRESSURE ON THE TANK. A VACUUM RELIEF FUNCTION IS ALSO STANDARD. THE THIEF HATCH PERMITS ACCESS TO THE CONTENTS OF THE TANK FOR SAMPLING AND GAUGING. THE JT-20.1 FEATURES A 20" OBLONG DRIP PAN TO CONTAIN DRIPPINGS AND GIVES THE OPERATOR A WORKSPACE FOR TOOLS.

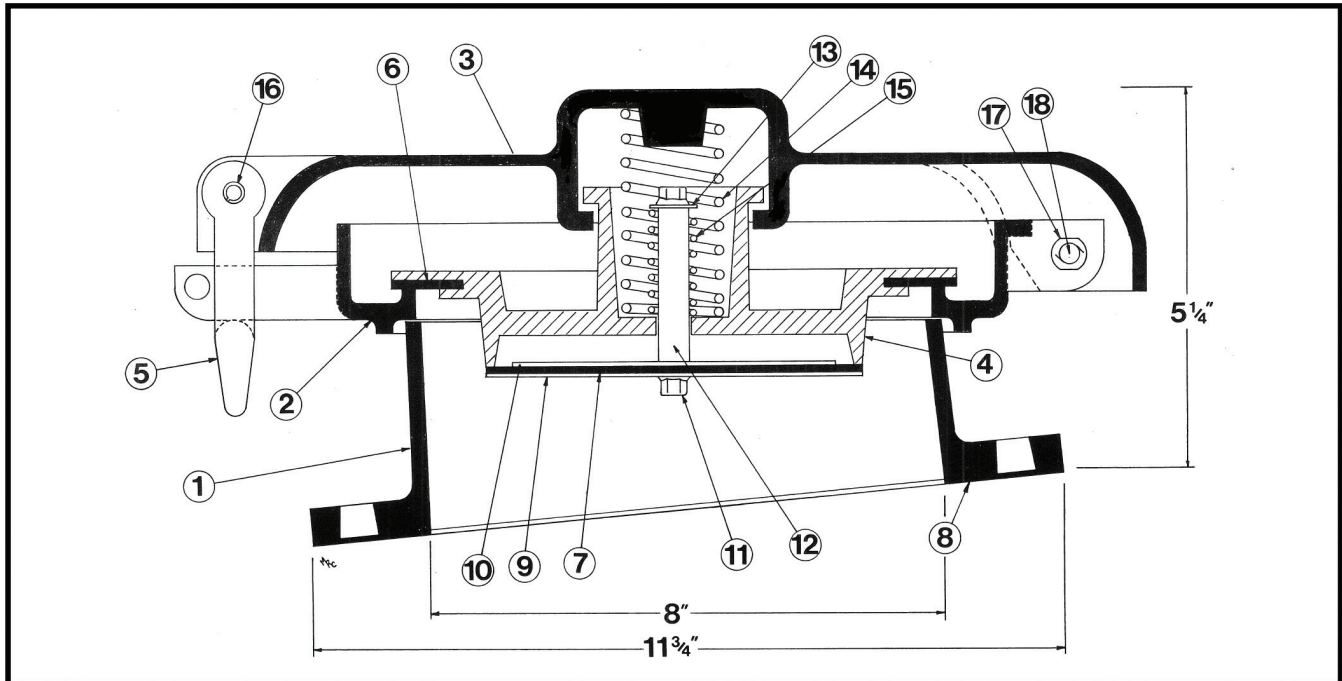
JAYCO THIEF HATCHES ARE DESIGNED FOR OPTIMUM PERFORMANCE AND EASY CLEANING AND MAINTENANCE, WITH STANDARD SETTINGS OF 4.0 OUNCE PRESSURE AND 0.4 OUNCE VACUUM WITH OPTIONAL SPRINGS FOR 2, 6, 8, 12, 14, AND 16 OUNCE PRESSURE SETTINGS. JAYCO THIEF HATCHES ALLOWS LESS THAN 1.0 CFH @ 90% OF SET PRESSURE. BASE GASKET STANDARD WITH HATCH.

JT-20.1 SPECIFICATIONS

BASE AND LID SIZE:	NOMINAL 8" ROUND WITH 20" LONG PAN
BOLT PATTERN:	16 HOLES AT 10 3/8" CIRCLE (API) (RECOMMENDED TORQUE 16-18 FT-LBS)
CONSTRUCTION:	ALL ALUMINUM CASTINGS
SYSTEM OPERATIONS:	SPRING LOADED PRESSURE AND VACUUM
STANDARD SETTINGS:	4 OZ. PRESSURE 0.4 OZ. VACUUM
GASKET MATERIAL:	SUPREME65, BLACK VITON® OR BLUE VITON®
BASE GASKET:	INCLUDED

APPROXIMATE SHIPPING WEIGHT: 18 LBS • VITON® IS A REGISTERED TRADEMARK OF DUPONT DOW ELASTOMERS





1. BASE (RECOMMENDED TORQUE 16-18 FT-LBS)	JT2035	ALUMINUM
2. LONG PAN	JT2045	ALUMINUM
3. LID	JT2055	ALUMINUM
4. PRESSURE/VACUUM VALVE COMPLETE (INCLUDES **)	JT1818S	ALUMINUM
5. LATCH	JT8205	ALUMINUM
**6 & 7. PRESSURE & VACUUM GASKET SET (JT1815S & JT1820S)	JT1SUPR652P	SUPREME65
PRESSURE & VACUUM SOUR SERV. SET (JT1815V & JT1820V)	JT1VITON2P	VITON®
PRESSURE & VACUUM BLUE WRAP SET (JT1815WV & JT1820WV)	JT1VITONW	VITON®
8. BASE GASKET	JT1810S	SUPREME65
BASE GASKET (SOUR SERVICE)	JT1810V	VITON®
** 9. WASHER (LOWER)	JT0863	ALUMINUM
** 10. WASHER (UPPER)	JT0860	ALUMINUM
** 11. SCREW HHTL 1/4-20 X 3/4	JT0871	STAINLESS
** 12. STEM 1/2 X 2 1/2	JT0850	ALUMINUM
** 13. WASHER 1/4	JT0861	STAINLESS
14. SPRING, PRESSURE (STANDARD 4 oz PLATED)		
4 oz (PLAIN) JT0835	2 oz (BLACK) JT0830	PLATED OR SS
6 oz (YELLOW) JT0837	8 oz (ORANGE) JT0838	STAINLESS
12 oz (WHITE) JT0846	14 oz (GREEN) JT0839	STAINLESS
16 oz (BLUE) JT0847	24 oz (PURPLE) JT0849	STAINLESS
** 15. SPRING, VACUUM	JT0825	STAINLESS
16. LATCH ROLL PIN	JV0130	ZINC PLATED
17. PUSH NUT, 1/4 (USE ONLY ONCE - THEN REPLACE)	JT0887	
18. HINGE PIN (LONG)	JT0885	GALVANIZED
** WASHER, INTERNAL LOCK, BOTTOM	JT0872	STAINLESS
MOUNTING BOLT AND NUT SET (16)	JT-B&N	ZINC PLATED

IN KEEPING WITH, AND FOR THE PURPOSE OF PRODUCT IMPROVEMENT, JAYCO RESERVES THE RIGHT TO MAKE DESIGN CHANGES WITHOUT PRIOR NOTICE.

** PRESSURE/VACUUM VALVE INCLUDES THESE PARTS PLUS MORE UNSHOWN PARTS

BULLETIN NUMBER 1015 12

VITON® IS A REGISTERED TRADEMARK OF DUPONT DOW ELASTOMERS



NEW BLACK TEFLON COATING



THE JAYCO PEAK 1 THIEF HATCH IS DESIGNED WITH OUR NEW BLUE VITON® WRAP-A-ROUND PRESSURE GASKET FOR OUR BEST DURABILITY AND SEALING. THE PEAK 1 COMES COMPLETE WITH VITON® GASKETS AND STAINLESS STEEL PARTS. THE LID, BASE AND INTERNAL PLUNGER ARE TEFLON COATED MAKING THIS HATCH SUITABLE FOR DEMANDING ENVIRONMENTS. JAYCO PEAK 1 THIEF HATCHES ALLOWS LESS THAN 1.0 CFH @ 90% OF SET PRESSURE.

PEAK 1 SPECIFICATIONS

BASE AND LID SIZE:	NOMINAL 8" ROUND
HATCH DESIGN:	JT-8.1
BOLT PATTERN:	16 HOLES AT 10 3/8" CIRCLE (API) (RECOMMENDED TORQUE 16-18 FT-LBS)
CONSTRUCTION:	ALL TEFLON COATED ALUMINUM CASTINGS
SYSTEM OPERATIONS:	SPRING LOADED PRESSURE AND VACUUM
STANDARD SETTINGS:	4 OZ. PRESSURE 0.4 OZ. VACUUM
OPTIONAL PRESSURE SET:	6OZ, 8OZ, 12OZ, 14OZ, AND 16OZ
INTERNAL PARTS:	ALL STAINLESS STEEL
PRESSURE GASKET:	BLUE VITON® WRAP-A-ROUND
VACUUM GASKET:	BLUE VITON® FLAT
BASE GASKET:	BLACK VITON® INCLUDED

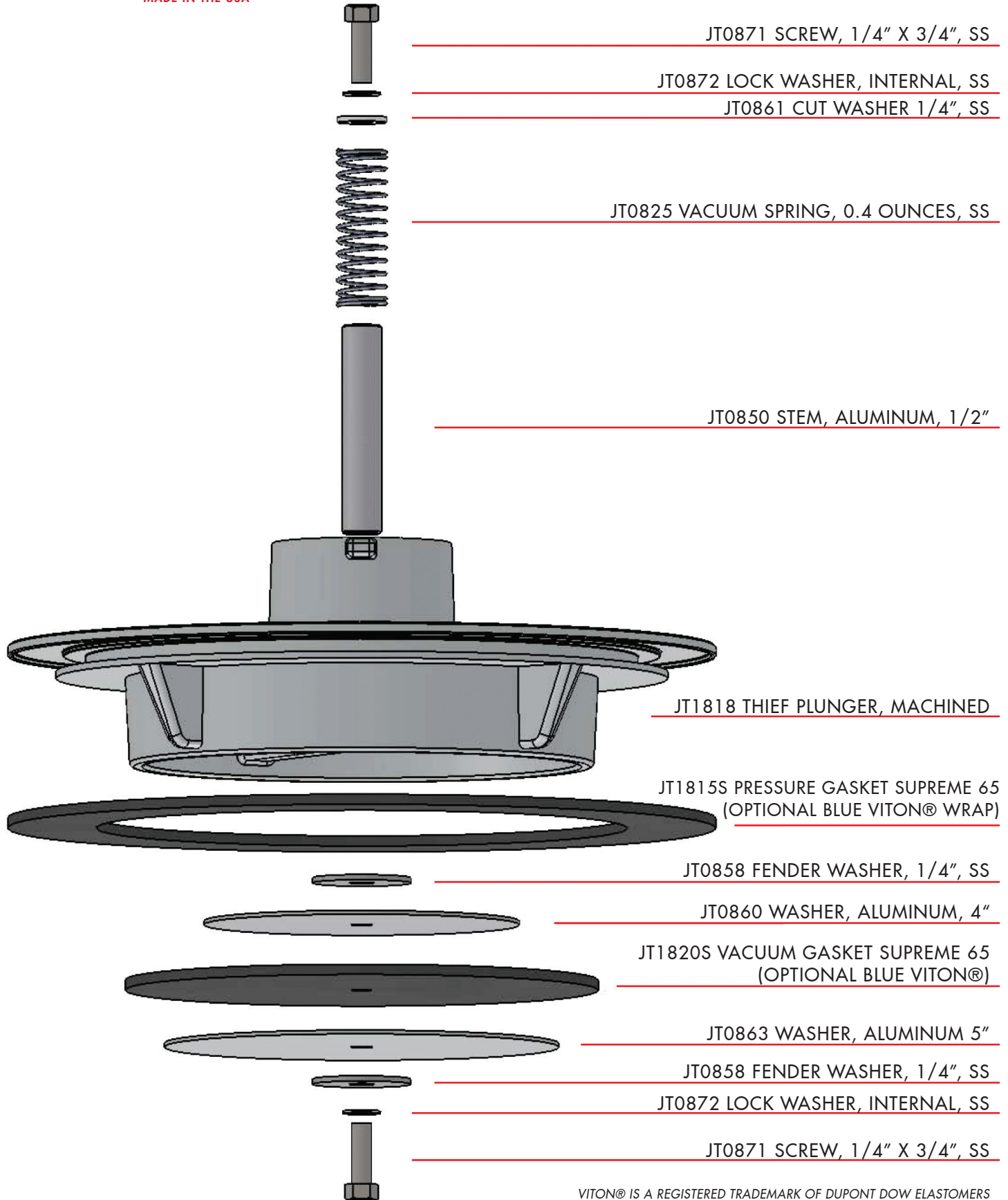


APPROXIMATE SHIPPING WEIGHT: 12 LBS • VITON® IS A REGISTERED TRADEMARK OF DUPONT DOW ELASTOMERS

9412 NICHOLS ROAD • PO BOX 20026 • OKLAHOMA CITY, OK 73156

800-654-9263 • 405-751-6903 • FAX 405-755-7940 • WWW.JAYCO.ORG

JAYCO PARTS LIST
JT1818S PLUNGER



JT0871 SCREW, 1/4" X 3/4", SS

JT0872 LOCK WASHER, INTERNAL, SS

JT0861 CUT WASHER 1/4", SS

JT0825 VACUUM SPRING, 0.4 OUNCES, SS

JT0850 STEM, ALUMINUM, 1/2"

JT1818 THIEF PLUNGER, MACHINED

JT1815S PRESSURE GASKET SUPREME 65
 (OPTIONAL BLUE VITON® WRAP)

JT0858 FENDER WASHER, 1/4", SS

JT0860 WASHER, ALUMINUM, 4"

JT1820S VACUUM GASKET SUPREME 65
 (OPTIONAL BLUE VITON®)

JT0863 WASHER, ALUMINUM 5"

JT0858 FENDER WASHER, 1/4", SS

JT0872 LOCK WASHER, INTERNAL, SS

JT0871 SCREW, 1/4" X 3/4", SS

VITON® IS A REGISTERED TRADEMARK OF DUPONT DOW ELASTOMERS

JAYCO THIEF HATCH GASKETS & PLUNGERS

JAYCO THIEF HATCH GASKETS ARE OFFERED IN THREE FLAVORS: SUPREME65, BLACK VITON®, AND BLUE WRAP-A-ROUND VITON®. THESE GASKETS CAN BE ORDERED AS A TWO PIECE SET (PRESSURE AND VACUUM) OR ALREADY INSTALLED ON A NEW STYLE PLUNGER. CUSTOMERS WITH ORIGINAL STYLE PLUNGERS CAN UPGRADE THEIR HATCHES WITH THE NEW STYLE PLUNGER. GASKETS LISTED BELOW ONLY WORK ON JAYCO'S NEW STYLE PLUNGER WITH AUTO CENTERING GUIDES.



SUPREME65

JAYCO SUPREME65 IS A HIGH GRADE OF BUNA NITRILE. THIS IS THE STANDARD GASKET MATERIAL FOR JAYCO THIEF HATCHES AND IS SUITABLE FOR A BROAD ARRAY OF APPLICATIONS. WHEN INSTALLED ON THE NEW STYLE PLUNGER, THESE GASKETS OFFER EXCELLENT SEALING PERFORMANCE.

GASKET SET JT1SUPR65 2P • PLUNGER JT1818S

BLACK VITON®

JAYCO BLACK VITON® IS A FLAT GASKET SIMILAR TO THE SUPREME65 GASKET. VITON® HAS EXCELLENT CHEMICAL RESISTANCE AND IS A MUST HAVE GASKET FOR H2S ENVIRONMENTS. THE SEALING PERFORMANCE IS EXCELLENT. JAYCO BLACK VITON® GASKETS ARE MARKED ON THE SIDE WITH A LIGHT BLUE STRIPE AND ARE TREATED WITH A SWEET CINNAMON SCENT.

GASKET SET JT1VITON 2P • PLUNGER JT1818V



BLUE VITON®

JAYCO BLUE VITON® IS A PREMIUM MOLDED GASKET MATERIAL. THE PRESSURE GASKET WRAPS AROUND THE PLUNGER FOR INCREASED SECURITY. JAYCO BLUE VITON® HAS EXCELLENT CHEMICAL RESISTANCE AND IS A MUST HAVE FOR H2S ENVIRONMENTS. THE SEALING PERFORMANCE IS EXCELLENT. THE BLUE GASKETS COMES STANDARD ON THE PEAK1 THIEF HATCH.

GASKET SET JT1VITON W • PLUNGER JT1818WV



JAYCO THIEF HATCHES COME STANDARD WITH BUNA N GASKETS DESIGNED TO WORK IN NORMAL (SWEET CRUDE) OPERATION OF TANK SYSTEMS IN THE OILFIELD. IF YOUR APPLICATION WILL NOT WORK WITH BUNA N, YOU MUST ORDER THE APPROPRIATE GASKET MATERIAL FOR YOUR SITUATION.

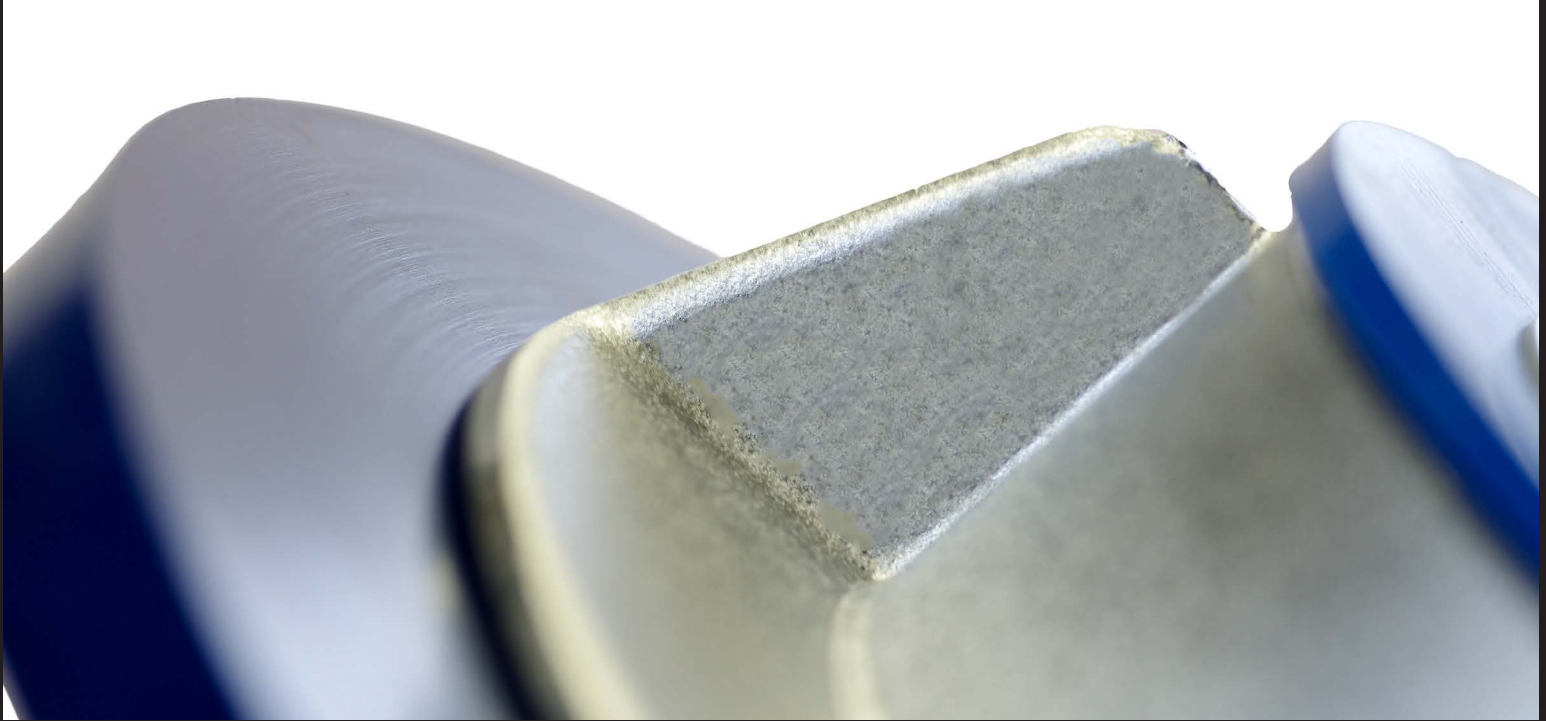
NITRILE SUPREME65

- SERVICE RATING: -40 TO 220 F
- GOOD MECHANICAL & PHYSICAL PROPERTIES
- RESISTANT TO: MOST NON-AROMATIC PETROLEUM-BASED FLUIDS AND GASES, COMPRESSION SET
- UV LIGHT : POOR
- A PREMIUM GRADE OF BUNA N

FLUOROCARBON VITON® FLUOREL®*

- SERVICE RATING: -45 TO 450 F
- RESISTANT TO: ACIDS (EXCELLENT), FUELS AND OIL (EXCELLENT), AROMATIC HYDROCARBONS (EXCELLENT), CHLORINATED SOLVENTS (EXCELLENT), ALCOHOLS (EXCELLENT)
- UV LIGHT (EXCELLENT)
- WEATHERING AND OZONE (EXCELLENT).

RECOMMENDED FOR H2S PRODUCTION.



JAYCO BLUE VITON® GASKETS ARE PREMIUM MOLDED GASKETS. THE PRESSURE GASKET WRAPS AROUND THE PLUNGER TO HOLD IN PLACE. THESE ARE EASILY IDENTIFIED AS VITON® BY THEIR RICH BLUE COLOR.

THE OLDER STYLE JT-8 AND JT-20 (PRE OCTOBER 2011 MODEL) MUST BE UPDATED WITH THE NEW STYLE PLUNGER ASSEMBLIES TO USE THE BLUE VITON® WRAP GASKET SETS. SPECIFY P/N JT1818WV WHEN ORDERING.

SERVICE RATING: -45 TO 450F • RECOMMENDED FOR H2S PRODUCTION

THE JAYCO PEAK 1 THIEF HATCH IS DESIGNED WITH OUR NEW BLUE VITON® WRAP-A-ROUND PRESSURE GASKET FOR ENHANCED DURABILITY AND SEALING. THE PEAK 1 COMES COMPLETE WITH VITON® GASKETS AND STAINLESS STEEL PARTS. THE LID, BASE AND INTERNAL PLUNGER ARE TEFLON COATED MAKING THIS HATCH SUITABLE FOR DEMANDING ENVIRONMENTS.



VITON® IS A REGISTERED TRADEMARK OF DUPONT DOW ELASTOMERS

9412 NICHOLS ROAD • PO BOX 20026 • OKLAHOMA CITY, OK 73156

800-654-9263 • 405-751-6903 • FAX 405-755-7940 • WWW.JAYCO.ORG



**INTRODUCING
THE NEW LOOK
FOR THE JAYCO 8.1
THIEF HATCH**

THE NEW IMPROVED LID OFFERS:

- STREAMLINED LOOK
- CLEANER EDGES
- IMPROVED PLUNGER RECEIVER ON INSIDE OF LID
- SAME GREAT PLUNGER AND SEALING PERFORMANCE
- SAME GREAT FLOW PERFORMANCE



IMPROVED PLUNGER RECEIVER

THE JT-8.1 CONTINUES TO HAVE THE SAME GREAT SEALING PERFORMANCE AND FLOW CHARACTERISTICS. THE NEW PLUNGER RECEIVER ALLOWS USERS TO MORE EASILY SERVICE THE HATCH IN THE FIELD.