



THE PURPOSE OF THE VENT VALVE IS TO WORK IN TANDEM WITH THE THIEF HATCH TO MINIMIZE THE ESCAPE OF LIGHT ENDS OF CRUDE IN LEASE STORAGE BY MAINTAINING A PRESSURE ON THE TANK. A VACUUM RELIEF FUNCTION IS ALSO STANDARD TO MINIMIZE A SUCTION OR DRAW DOWN FROM COLLAPSING THE TANK. SLIP ON FLANGES AT EACH END ALLOWS FOR CONNECTION TO THE HORIZONTAL PIPE RUN. THE VALVE BODIES ARE ENGINEERED TO HAVE LOW IMPACT ON THE FLOW OF MEDIA THROUGH THE PIPE RUN.

JAYCO INLINE VENT VALVES ARE DESIGNED FOR OPTIMUM PERFORMANCE AND EASY CLEAN OUT AND MAINTENANCE, AND ARE AVAILABLE IN 2, 3, AND 4 INCH SLIP-ON ENDS WITH STANDARD SETTINGS OF 1.5 OUNCE PRESSURE AND 0.4 OUNCE VACUUM WITH ADDITIONAL WEIGHTS AVAILABLE IN ONE OUNCE INCREMENTS. JAYCO VALVES COME STANDARD WITH BUNA N GASKETS DESIGNED TO WORK IN NORMAL (SWEET CRUDE) OPERATION OF TANK SYSTEMS IN THE OILFIELD.

INLINE SPECIFICATIONS

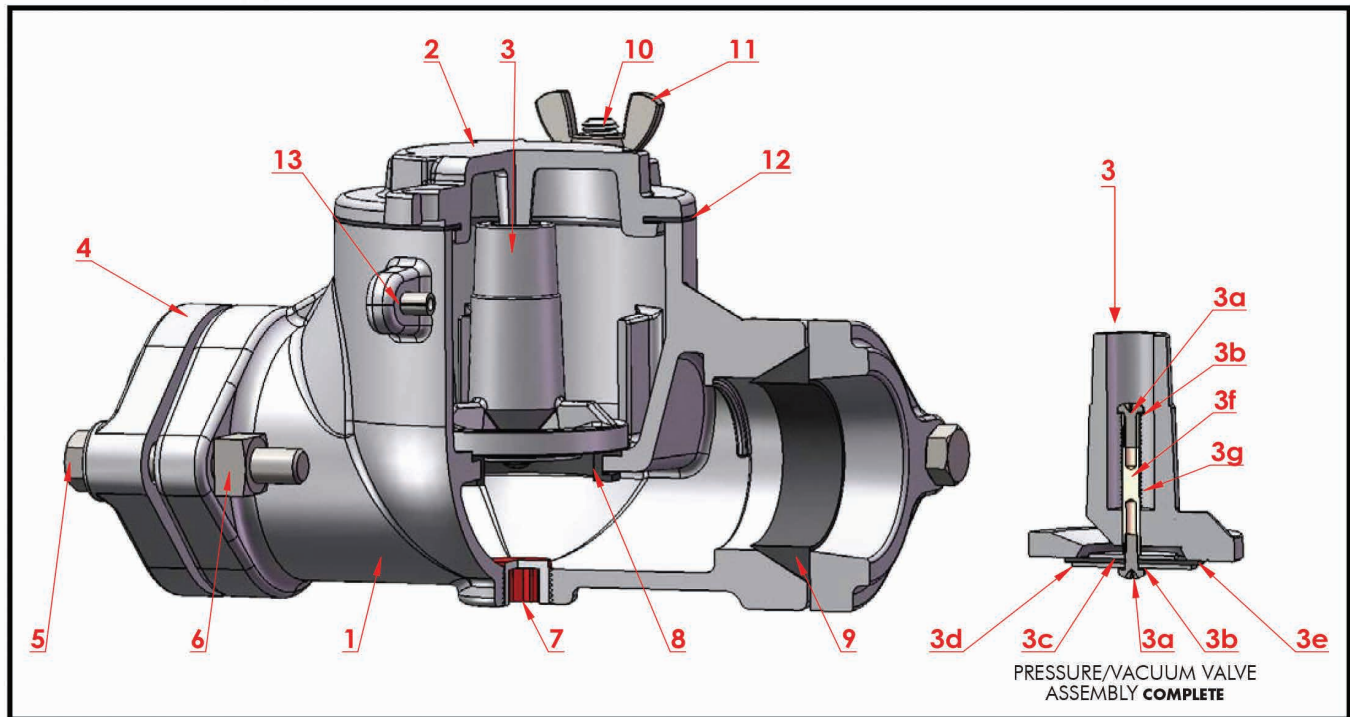
CONSTRUCTION:	ALL ALUMINUM CASTINGS
SYSTEM OPERATIONS:	WEIGHTED PRESSURE SPRING LOADED VACUUM
STANDARD SETTINGS:	1.5 oz. PRESSURE 0.4 oz. VACUUM
OPTIONAL SETTINGS:	1 oz. INCREMENTS UP TO 16 oz. PRESSURE ONLY VALVE
GASKET MATERIAL:	SUPREME65 OR BLACK VITON®
2 INCH:	JV 101
3 INCH:	JV 301
4 INCH:	JV 500



VITON® IS A REGISTERED TRADEMARK OF DUPONT DOW ELASTOMERS

9412 NICHOLS ROAD • PO BOX 20026 • OKLAHOMA CITY, OK 73156

800-654-9263 • 405-751-6903 • FAX 405-755-7940 • WWW.JAYCO.ORG



	JV 101 - 2"	JV 301 - 3"	JV 500 - 4"
1. VALVE BODY - ALUMINUM			
2. VALVE BODY CAP - ALUMINUM	JV0121	JV0321A	JV0520
3. PRESSURE/VACUUM VALVE ASSEMBLY <i>COMPLETE</i>	JV0110	JV0311	JV0510
3a. PAN HEAD SCREW - ZINC PLATED	JV0156	JV0156	JV0156
3b. INTERNAL LOCK WASHER - ZINC PLATED	JV0155	JV0155	JV0155
3c. WASHER (SMALL) - ALUMINUM	JV0148	JV0150	JV0348
3d. WASHER (LARGE) - ALUMINUM	JV0150	JV0348	JV0350
** 3e. VACUUM GASKET - BUNA N	JV0152	JV0353	JV0352
VACUUM GASKET (SOUR SERVICE) - VITON®	JV0153	JV0354	JV0553
3f. VACUUM VALVE STEM - BRASS	JV0146	JV0146	JV0446
** 3g. VACUUM SPRING - STAINLESS STEEL	JV0144	JV0144	JV0444
4. SLIP-ON FLANGE - ALUMINUM	JV0136	JV0337	JV0436
5. SLIP-ON FLANGE BOLT - ZINC PLATED	JV0181	JV0181	JV0181
6. SLIP-ON FLANGE NUT - ZINC PLATED	JV0180	JV0180	JV0180
7. DRAIN PLUG - RED PLASTIC	JV0158	JV0158	JV0158
** 8. PRESSURE GASKET - BUNA N	JV0142	JV0343	JV0342
PRESSURE GASKET (SOUR SERVICE) - VITON®	JV0143	JV0344	JV0443
9. SLIP-ON FLANGE GASKET - BUNA N	JV0134	JV0335	JV0434
10. EYE BOLT - ALUMINUM	JV0126	JV0126	JV0126
11. WING NUT - ZINC PLATED	JV0128	JV0128	JV0128
** 12. CAP GASKET - BUNA N	JV0125	JV0323	JV0522
CAP GASKET (SOUR SERVICE) - VITON®	JV0127	JV0325	JV0523
13. GROOVE PIN - ZINC PLATED	JV0131	JV0130	JV0130
PRESSURE WEIGHT 1.0 oz - BRONZE	JV0260B	JV0360B	JV0460B
PRESSURE WEIGHT 0.5 oz - BRONZE	JV0260A	JV0360A	JV0460A

HIGHER WEIGHT SETTINGS VISIT: WWW.JAYCO.ORG/PRODUCTS-CATEGORY/JAYCO-VENT-VALVE/

IN KEEPING WITH, AND FOR THE PURPOSE OF PRODUCT IMPROVEMENT, JAYCO RESERVES THE RIGHT TO MAKE DESIGN CHANGES WITHOUT PRIOR NOTICE.

** REPAIR KIT

VITON® IS A REGISTERED TRADEMARK OF DUPONT DOW ELASTOMERS

BULLETIN NUMBER 1015 12



THE PURPOSE OF THE VENT VALVE IS TO WORK IN TANDEM WITH THE THIEF HATCH TO MINIMIZE THE ESCAPE OF LIGHT ENDS OF CRUDE IN LEASE STORAGE BY MAINTAINING A PRESSURE ON THE TANK. STACK VALVES INSTALL ATOP A VERTICAL PIPE. PRESSURE FROM THE VESSEL IS VENTED TO ATMOSPHERE WHILE A VACUUM ON THE VESSEL DRAWS OUTSIDE AIR THROUGH THE VALVE. OPTIONAL VENTING LEVERS ARE AVAILABLE FOR MANUAL VENTING. THE VALVE BODIES ARE ENGINEERED TO HAVE LOW IMPACT ON THE FLOW OF MEDIA THROUGH THE PIPE RUN.

JAYCO STACK VENT VALVES ARE DESIGNED FOR OPTIMUM PERFORMANCE AND EASY CLEAN OUT AND MAINTENANCE, AND ARE AVAILABLE IN 2, 3, AND 4 INCH SLIP-ON ENDS WITH STANDARD SETTINGS OF 1.5 OUNCE PRESSURE AND 0.4 OUNCE VACUUM WITH ADDITIONAL WEIGHTS AVAILABLE IN ONE OUNCE INCREMENTS. JAYCO VALVES COME STANDARD WITH BUNA N GASKETS DESIGNED TO WORK IN NORMAL (SWEET CRUDE) OPERATION OF TANK SYSTEMS IN THE OILFIELD.

INLINE SPECIFICATIONS

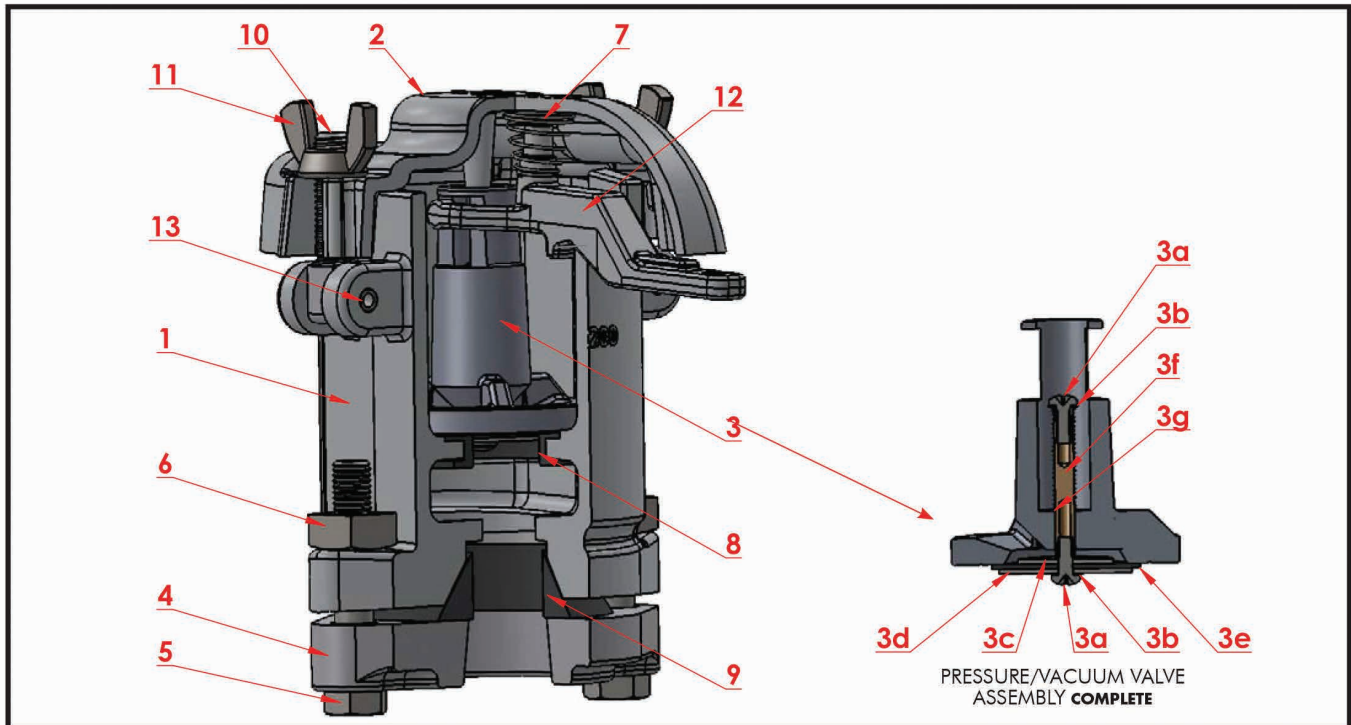
CONSTRUCTION:	ALL ALUMINUM CASTINGS
SYSTEM OPERATIONS:	WEIGHTED PRESSURE SPRING LOADED VACUUM
STANDARD SETTINGS:	1.5 oz. PRESSURE 0.4 oz. VACUUM
OPTIONAL SETTINGS:	1 oz. INCREMENTS UP TO 16 oz. PRESSURE ONLY VALVE
GASKET MATERIAL:	SUPREME65 OR BLACK VITON®
2 INCH:	JV 200
3 INCH:	JV 401
4 INCH:	JV 600



VITON® IS A REGISTERED TRADEMARK OF DUPONT DOW ELASTOMERS

9412 NICHOLS ROAD • PO BOX 20026 • OKLAHOMA CITY, OK 73156

800-654-9263 • 405-751-6903 • FAX 405-755-7940 • WWW.JAYCO.ORG



	JV 200 - 2"	JV 401 - 3"	JV 600 - 4"
1. VALVE BODY - ALUMINUM			
2. VALVE BODY CAP - ALUMINUM	JV0220	JV0421	JV0420
3. PRESSURE/VACUUM VALVE ASSEMBLY <i>COMPLETE</i>	JV0210	JV0411	JV0410
3a. PAN HEAD SCREW - ZINC PLATED	JV0156	JV0156	JV0156
3b. INTERNAL LOCK WASHER - ZINC PLATED	JV0155	JV0155	JV0155
3c. WASHER (SMALL) - ALUMINUM	JV0148	JV0150	JV0348
3d. WASHER (LARGE) - ALUMINUM	JV0150	JV0348	JV0350
** 3e. VACUUM GASKET - BUNA N	JV0152	JV0353	JV0352
VACUUM GASKET (SOUR SERVICE) - VITON®	JV0153	JV0354	JV0553
3f. VACUUM VALVE STEM - BRASS	JV0146	JV0146	JV0446
** 3g. VACUUM SPRING - STAINLESS STEEL	JV0144	JV0144	JV0444
4. SLIP-ON FLANGE - ALUMINUM	JV0136	JV0337	JV0436
5. SLIP-ON FLANGE BOLT - ZINC PLATED	JV0181	JV0181	JV0181
6. SLIP-ON FLANGE NUT - ZINC PLATED	JV0180	JV0180	JV0180
7. CONICAL LEVER SPRING - ZINC PLATED <i>OPTIONAL</i>	JV0262	JV0262	JV0262
** 8. PRESSURE GASKET - BUNA N	JV0142	JV0343	JV0342
PRESSURE GASKET (SOUR SERVICE) - VITON®	JV0143	JV0344	JV0443
9. SLIP-ON FLANGE GASKET - BUNA N	JV0134	JV0335	JV0434
10. EYE BOLT - ALUMINUM	JV0126	JV0126	JV0126
11. WING NUT - ZINC PLATED	JV0128	JV0128	JV0128
12. LEVER - ALUMINUM <i>OPTIONAL</i>	JV0230	JV0431	JV0431
13. GROOVE PIN - ZINC PLATED	JV0131	JV0130	JV0130
PRESSURE WEIGHT 1.0 oz - BRONZE	JV0260B	JV0360B	JV0460B
PRESSURE WEIGHT 0.5 oz - BRONZE	JV0260A	JV0360A	JV0460A
LEVER ROLL PIN - ZINC PLATED <i>DISCONTINUED</i>	JV0264	JV0264	JV0264

HIGHER WEIGHT SETTINGS VISIT: WWW.JAYCO.ORG/PRODUCTS-CATEGORY/JAYCO-VENT-VALVE/

IN KEEPING WITH, AND FOR THE PURPOSE OF PRODUCT IMPROVEMENT, JAYCO RESERVES THE RIGHT TO MAKE DESIGN CHANGES WITHOUT PRIOR NOTICE.

** REPAIR KIT

VITON® IS A REGISTERED TRADEMARK OF DUPONT DOW ELASTOMERS

BULLETIN NUMBER 1007 13

JAYCO VENT VALVES ARE SHIPPED FROM THE FACTORY SET AT 1.3 OZ/INCH² PRESSURE FOR 2" AND 3" VALVES WHILE 4" VALVES ARE SET AT 1.5 OZ/INCH², UNLESS OTHERWISE SPECIFIED. THE VACUUM SETTING OF 0.4 OZ/INCH² IS SPRING OPERATED AND NOT AFFECTED BY CHANGING THE PRESSURE SETTING.

TO INCREASE THE PRESSURE SETTING OF THE VALVE, WEIGHTS CAN BE ADDED TO THE INTERNAL PLUNGER ASSEMBLY. FOR HIGHER PRESSURE SETTINGS THE ALUMINUM PLUNGER MUST BE REPLACED BY A BULLET PLUNGER.



SMALL INCREASE

ADD WEIGHT(S) IN 0.5 OZ/INCH² OR 1 OZ/INCH² INCREMENTS TO THE PLUNGER ASSEMBLY TO GAIN DESIRED PRESSURE SETTING. THIS IS DONE WITH BRONZE WASHERS CALLED WEIGHTS. EACH VALVE HAS A MAXIMUM AMOUNT OF WASHERS THAT CAN BE ADDED.

1 oz WEIGHT • FLEXIBILITY

MEDIUM INCREASE

WHEN ADDING MORE THAN 1 OZ/INCH² A CUSTOM BRONZE WEIGHT CAN BE ADDED TO THE PLUNGER ASSEMBLY TO GAIN THE DESIRED PRESSURE SETTING. I.E. ADD A 2.5 OZ/INCH² WEIGHT TO A STANDARD PLUNGER ASSEMBLY TO HAVE A PRESSURE SETTING OF 4 OZ/INCH², (1.5 + 2.5 = 4.0).

2.5 oz WEIGHT • ECONOMICAL



LARGE INCREASE

FOR HIGHER PRESSURE SETTINGS THE PLUNGER ASSEMBLY MUST BE SWITCHED OUT WITH A CUSTOM "BULLET PLUNGER ASSEMBLY." THESE LARGE BRONZE WEIGHTS HAVE THE VACUUM BREAKER BUILT INTO THEM. THESE ARE SOLD BY THEIR TOTAL PRESSURE SETTING AND NOT THEIR ADDITIONAL INCREASE LIKE THE WEIGHTS.

12 oz BULLET PLUNGER

THE FOLLOWING PAGES HAVE THE PART NUMBERS TO ASSIST YOU IN ORDERING WEIGHTS FOR THE SIX JAYCO VENT VALVES. ON THESE PAGES YOU CAN SEE THE MAXIMUM AMOUNT OF WEIGHTS THAT CAN BE ADDED TO EACH VALVE AND WHEN A "BULLET PLUNGER" MUST BE USED.

REMEMBER THAT INCREASING THE PRESSURE SETTING ON THE VENT VALVE WILL DELAY THE PRESSURE RELIEF. MAKE SURE THAT THE CHANGES MADE WILL WORK WITHIN THE CONFINES OF THE INSTALLATION. PLEASE CALL IF YOU HAVE QUESTIONS ABOUT THIS DOCUMENT.

JAYCO VENT VALVES WEIGHTS 2" JV101 & JV200

PRESSURE SETTING	ADDITIONAL WEIGHT	WEIGHT P/N	BULLET PLUNGER P/N
1.3 oz	STANDARD	--	--
2.0 oz	0.7 oz	JV0260Z	--
2.5 oz	0.5 & .7 oz	JV0260A + JV0260Z	--
3.0 oz	1.0 & .7 oz	JV0260B + JV0260Z	--
3.5 oz	1.5 & .7 oz	JV0260C + JV0260Z	--
4.0 oz	2.0 & .7 oz	JV0260D + JV0260Z	--
4.5 oz	2.5 & .7 oz	JV0260E + JV0260Z	--
5.0 oz	3.0 & .7 oz	JV0260F + JV0260Z	--
5.5 oz	3.5 & .7 oz	JV0260G + JV0260Z	--
6.0 oz	4.0 & .7 oz	JV0260H + JV0260Z	--
6.5 oz	4.5 & .7 oz	JV0260I + JV0260Z	--
7.0 oz	5.0 & .7 oz	JV0260J + JV0260Z	←
* 7.5 oz	5.5 & .7 oz	JV0260K + JV0260Z	--
* 8.0 oz	6.0 & .7 oz	JV0260L + JV0260Z	--
* 8.5 oz	6.5 & .7 oz	JV0260M + JV0260Z	--
* 9.0 oz	7.0 & .7 oz	JV0260N + JV0260Z	--
* 10.0 oz	--	--	JV0261A
* 12.0 oz	--	--	JV0261B
* 14.0 oz	--	--	JV0261E
* 16.0 oz	--	--	JV0261G

MAX AMOUNT OF STACKED 1 oz WASHERS

- ALL WEIGHTS LISTED ABOVE ARE IN OZ/INCH²
- MAX AMOUNT OF STACKED 1 OZ WEIGHTS IS 5 FOR A PRESSURE SETTING OF 6.5 oz
- CUSTOM BRONZE WEIGHTS RANGE FROM 1.5 oz TO 7.5 oz (3 oz TO 9 oz PRESSURE SETTINGS)
- PRESSURE SETTINGS FROM 10 oz TO 16 oz REQUIRE A "BULLET PLUNGER" INSTEAD OF ADDING WEIGHTS TO THE EXISTING PLUNGER. BULLET PLUNGERS REPLACE THE ORIGINAL PLUNGER AND CANNOT HAVE ADDITIONAL WEIGHT ADDED TO THEM
- WHEN MIXING WEIGHTS, INSTALL THE BIGGER (HEAVIER) WEIGHT ON TOP OF THE SMALLER WEIGHT
- * ON THE JV200, THE BLEEDER LEVER AND THE CONICAL LEVER SPRING MUST BE REMOVED WHEN THE PRESSURE SETTING IS SET BETWEEN 7.5 oz & 16 oz (P/N'S JV0230 & JV0262)

JAYCO VENT VALVES WEIGHTS 3" JV301 & JV401

PRESSURE SETTING	ADDITIONAL WEIGHT	WEIGHT P/N	BULLET PLUNGER P/N
1.3 oz	STANDARD	--	--
2.0 oz	0.7 oz	JV0360Z	--
2.5 oz	0.5 & .7 oz	JV0360A + JV0360Z	--
3.0 oz	1.0 & .7 oz	JV0360B + JV0360Z	--
3.5 oz	1.5 & .7 oz	JV0360C + JV0360Z	--
4.0 oz	2.0 & .7 oz	JV0360D + JV0360Z	--
4.5 oz	2.5 & .7 oz	JV0360E + JV0360Z	--
* 5.0 oz	3.0 & .7 oz	JV0360F + JV0360Z	←
* 5.5 oz	3.5 & .7 oz	JV0360G + JV0360Z	--
* 6.0 oz	4.0 & .7 oz	JV0360H + JV0360Z	--
* 6.5 oz	4.5 & .7 oz	JV0360I + JV0360Z	--
* 7.0 oz	5.0 & .7 oz	JV0360J + JV0360Z	--
* 7.5 oz	5.5 & .7 oz	JV0360K + JV0360Z	--
* 8.0 oz	6.0 & .7 oz	JV0360L + JV0360Z	--
* 9.0 oz	--	--	JV0361B
* 10.0 oz	--	--	JV0361C
* 12.0 oz	--	--	JV0361D
* 14.0 oz	--	--	JV0361E
* 16.0 oz	--	--	JV0361F

MAX AMOUNT OF STACKED 1 oz WASHERS

- ALL WEIGHTS LISTED ABOVE ARE IN OZ/INCH²
- MAX AMOUNT OF STACKED 1 oz WEIGHTS IS 4 FOR A PRESSURE SETTING OF 5.5 oz
- CUSTOM BRONZE WEIGHTS RANGE FROM 1.5 oz TO 6 oz (3 oz TO 7.5 oz PRESSURE SETTINGS)
- A MODIFIED PLUNGER MUST BE USED WITH 4.5 oz TO 6.5 oz WEIGHTS. THE MODIFIED PLUNGER ALLOWS FOR MORE SPACE TO FIT THE HEAVIER CUSTOM WEIGHTS. P/N IS JV0311 (STARTING IN 2013, NEW VALVES ARE SHIPPING WITH MODIFIED PLUNGERS)
- PRESSURE SETTINGS FROM 9 oz TO 12 oz REQUIRE A "BULLET PLUNGER" INSTEAD OF ADDING WEIGHTS TO THE EXISTING PLUNGER. BULLET PLUNGERS REPLACE THE ORIGINAL PLUNGER AND CANNOT HAVE ADDITIONAL WEIGHT ADDED TO THEM
- WHEN MIXING WEIGHTS, INSTALL THE BIGGER (HEAVIER) WEIGHT ON TOP OF THE SMALLER WEIGHT
- * ON THE JV 401, THE BLEEDER LEVER AND THE CONICAL LEVER SPRING MUST BE REMOVED WHEN THE PRESSURE SETTING IS SET BETWEEN 5 oz & 12 oz (P/N'S JV0430 & JV0262)

JAYCO VENT VALVES WEIGHTS

4" JV500 & JV600

PRESSURE SETTING	ADDITIONAL WEIGHT	WEIGHT P/N	BULLET PLUNGER P/N
1.5 oz	STANDARD	--	--
2.0 oz	0.5oz	JV0460A	--
2.5 oz	1.0 oz	JV0460B	--
3.0 oz	1.5oz	JV0460C	--
3.5 oz	2.0 oz	JV0460D	--
4.0 oz	2.5oz	JV0460E	--
4.5 oz	3.0 oz	JV0460F	--
5.0 oz	3.5oz	JV0460G	--
5.5 oz	4.0 oz	JV0460H	--
6.0 oz	4.5 oz	JV0460I	--
6.5 oz	5.0 oz	JV0460J	--
7.0 oz	5.5oz	JV0460K	--
7.5 oz	6.0 oz	JV0460L	--
8.0 oz	6.5oz	JV0460M	--
8.5 oz	7.0 oz	JV0460N	--
9.0 oz	7.5oz	JV0460O	--
* 9.5 oz	8.0 oz	JV0460P	--
* 10.0 oz	8.5 oz	JV0460Q	--
* 10.5 oz	9.0 oz	JV0460R	--
* 11.0 oz	9.5 oz	JV0460S	--
* 11.5 oz	10 oz	JV0460T	--
* 12.0 oz	10.5 oz	JV0460U	--
* 14.0 oz	--	--	JV0461A
* 16.0 oz	--	--	JV0461B

MAX AMOUNT OF STACKED 1 oz WASHERS

- ALL WEIGHTS LISTED ABOVE ARE IN OZ/INCH²
 - MAX AMOUNT OF STACKED 1 oz WEIGHTS IS 7 FOR A PRESSURE SETTING OF 8.5 oz
 - CUSTOM BRONZE WEIGHTS RANGE FROM 1.5 oz TO 10.5oz (3oz TO 12oz PRESSURE SETTINGS)
 - PRESSURE SETTINGS FROM 14 oz TO 16 oz REQUIRE A "BULLET PLUNGER" INSTEAD OF ADDING WEIGHTS TO THE EXISTING PLUNGER. BULLET PLUNGERS REPLACE THE ORIGINAL PLUNGER AND CANNOT HAVE ADDITIONAL WEIGHT ADDED TO THEM
 - WHEN MIXING WEIGHTS, INSTALL THE BIGGER (HEAVIER) WEIGHT ON TOP OF THE SMALLER WEIGHT
- * ON THE JV600, THE BLEEDER LEVER AND THE CONICAL LEVER SPRING MUST BE REMOVED WHEN THE PRESSURE SETTING IS SET BETWEEN 9.5 oz & 16 oz (P/N'S JV0430 & JV0262)